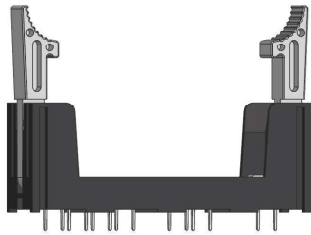




Safety socket A6 series

PCB Relay Socket



Features

- Dielectric strength: Up to 4000VAC, Insulation Resistance 1000MΩ
- PCB mounting screw mounting

RoHS compliant

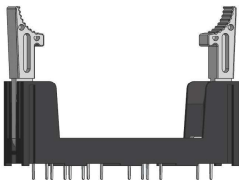
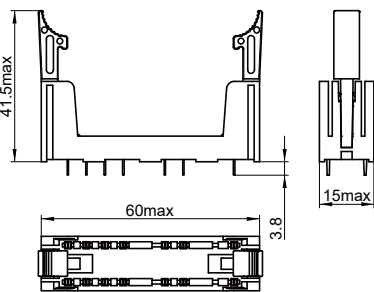
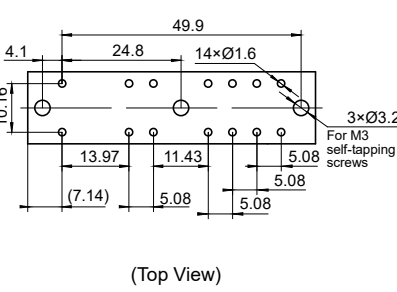
CHARACTERISTICS

Type	Nominal Voltage	Nominal Current	Ambient Temperature	Dielectric Strength min.	Screw Torque*	Wire Strip Length	Unit weight	Min. package qty.
A6-6Z-A1	250VAC/DC	6A	-40°C~70°C	4000 VAC 1min	—	—	—	10

ORDERING INFORMATION

	A6	-4Z	-A1	(XXX)
Type				
Contact arrangement	4Z: 6 Form C			
Termination & mounting	A1: PCB terminal			
Special code	XXX: The customer special requirement Nil: Standard type			

OUTLINE DIMENSIONS, WIRING DIAGRAM AND PC BOARD LAYOUT

Socket (If need accessory, please order with type.)	Outline Dimensions	Wiring Diagram/PCB Layout	Accessory Available
A6-6Z-A1  PCB terminal PCB mounting	 (Top View)	 (Top View)	Nil

Things to be noticed when selecting sockets:

1. Please choose suitable relay socket according to the actual mounting environment, relay contact poles and terminal layout. If there is any query on selection, please contact Hongfa for the technical service;
2. Relevant accessories must be selected separately. Please indicate the model of the selected accessories when ordering;
3. Main outline dimension, outline dimension > 50mm, tolerance should be ±1mm; 20mm < outline dimension ≤ 50mm, tolerance should be ±0.5mm; 5mm < outline dimension ≤ 20mm, tolerance should be ±0.4mm, outline dimension ≤ 5mm, tolerance should be ±0.3mm;
4. The above are typical sockets and accessories for HFA6 relays. Please contact us if you have special requirements.



HONGFA RELAY

ISO9001, IATF16949, ISO14001, ISO45001, IECQ QC 080000, ISO/IEC 27001 CERTIFIED

2026 Rev. 1.00

Precautions For Use

For your personal safety and the normal operation of the equipment, as well as to prevent fire, please note the following issues :

1. The rated current of the socket should be no less than the rated current of the relay.
2. Sockets are required to be firmly fixed to prevent the wiring from loosening and affecting the quality of wiring.
3. Be sure to disconnect power to the outlet before installation, disassembly, wiring, maintenance and inspection.
4. prevent foreign objects such as wire shavings from falling inside this product when wiring.
5. Be sure to install the relay in place, and use accessories such as retainer if necessary to improve contact reliability. Do not use with incomplete connections.
6. Be sure to observe the relay ratings and do not overload the relay.
7. Before selecting a relay, make sure that the drive voltage matches the relay excitation voltage.

Disclaimer

The specification is for reference only. See to "Terminology and Guidelines" for more information. Specifications subject to change without notice. We could not evaluate all the performance and all the parameters for every possible application. Thus the user should be in a right position to choose the suitable product for their own application. If there is any query, please contact Hongfa for the technical service. However, it is the user's responsibility to determine which product should be used only.

© Xiamen Hongfa Electroacoustic Co., Ltd. All rights of Hongfa are reserved.