

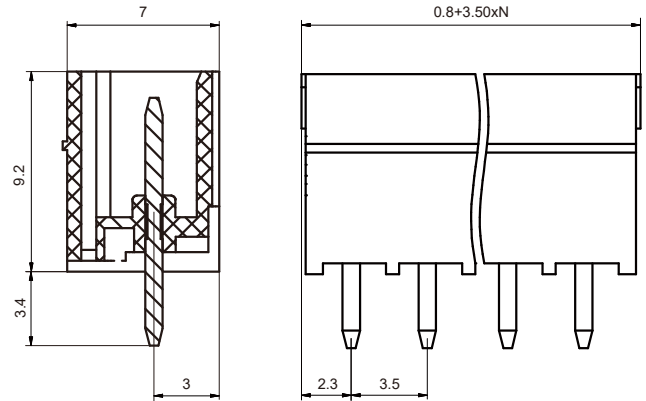
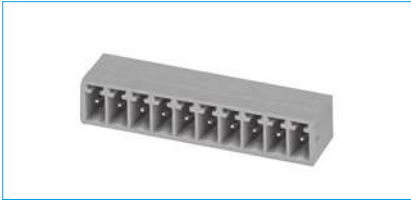
HFLS1D10-350

Plug-in terminal block

DIMENSIONAL DRAWING

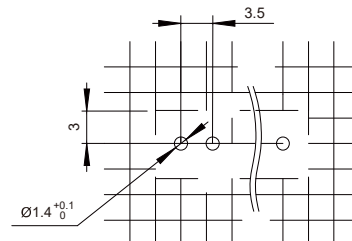
OUTLINE DIMENSIONS, WIRING DIAGRAM

Unit:mm



FEATURES

- Compact type socket with short needle gauge
- The plug-in direction is parallel to PCB



SPECIFICATION

Load	8A 300V (UL standard) 8A 160V (IEC standard)
Poles	2~24
Pitch	3.50mm
Rated Dielectric Strength	1400Vac/min
Ambient Temperature	-40℃~105℃

Remark: 1) In case of no tolerance shown in outline dimension: outline dimension $\leq 1\text{mm}$, tolerance should be $\pm 0.2\text{mm}$; outline dimension $> 1\text{mm}$ and $\leq 5\text{mm}$, tolerance should be $\pm 0.3\text{mm}$; outline dimension $> 5\text{mm}$, tolerance should be $\pm 0.4\text{mm}$.
2) The tolerance without indicating for PCB layout is always $\pm 0.1\text{mm}$.

ORDERING DATA

TYPE	POLES	PCS/BOX
HFLS1D-350/S2-GN	2	740
HFLS1D-350/S3-GN	3	520
HFLS1D-350/S4-GN	4	400
HFLS1D-350/S5-GN	5	330
HFLS1D-350/S6-GN	6	280
HFLS1D-350/S7-GN	7	250
HFLS1D-350/S8-GN	8	220
HFLS1D-350/S9-GN	9	190
HFLS1D-350/S10-GN	10	170
HFLS1D-350/S11-GN	11	160
HFLS1D-350/S12-GN	12	150
HFLS1D-350/S13-GN	13	140
HFLS1D-350/S14-GN	14	130
HFLS1D-350/S15-GN	15	120
HFLS1D-350/S16-GN	16	110
HFLS1D-350/S17-GN	17	100
HFLS1D-350/S18-GN	18	100
HFLS1D-350/S19-GN	19	90
HFLS1D-350/S20-GN	20	90
HFLS1D-350/S21-GN	21	80
HFLS1D-350/S22-GN	22	80
HFLS1D-350/S23-GN	23	70
HFLS1D-350/S24-GN	24	70

Disclaimer:

The specification is for reference only. See to "Terminology and Guidelines" for more information. Specifications subject to change without notice. We could not evaluate all the performance and all the parameters for every possible application. Thus the user should be in a right position to choose the suitable product for their own application. If there is any query, please contact Hongfa for the technical service. However, it is the user's responsibility to determine which product should be used only.

© Xiamen Hongfa Electroacoustic Co., Ltd. All rights of Hongfa are reserved.