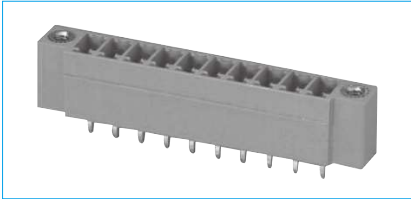


HFLS1D23-381

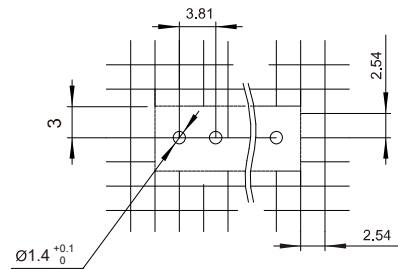
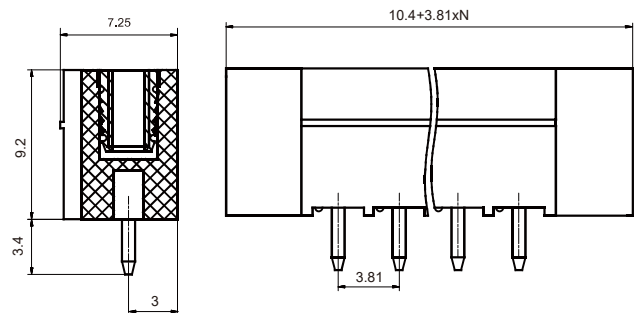
Plug-in terminal block



DIMENSIONAL DRAWING

OUTLINE DIMENSIONS, WIRING DIAGRAM

Unit:mm



FEATURES

- Compact type socket with short needle gauge
- The plug-in direction is vertical to PCB
- With flange with thread

SPECIFICATION

Load	8A 300V (UL standard) 8A 250V (IEC standard)
Poles	2~24
Pitch	3.81mm
Rated Dielectric Strength	1400Vac/min
Rated Withstand Pulse Voltage	2.5kV
Ambient Temperature	-40℃~105℃

- Remark: 1) In case of no tolerance shown in outline dimension: outline dimension $\leq 1\text{mm}$, tolerance should be $\pm 0.2\text{mm}$; outline dimension $> 1\text{mm}$ and $\leq 5\text{mm}$, tolerance should be $\pm 0.3\text{mm}$; outline dimension $> 5\text{mm}$, tolerance should be $\pm 0.4\text{mm}$.
- 2) The tolerance without indicating for PCB layout is always $\pm 0.1\text{mm}$.

ORDERING DATA

TYPE	POLES	PCS/BOX
HFLS1D23-381/S2-GN	2	370
HFLS1D23-381/S3-GN	3	310
HFLS1D23-381/S4-GN	4	260
HFLS1D23-381/S5-GN	5	230
HFLS1D23-381/S6-GN	6	200
HFLS1D23-381/S7-GN	7	190
HFLS1D23-381/S8-GN	8	170
HFLS1D23-381/S9-GN	9	150
HFLS1D23-381/S10-GN	10	140
HFLS1D23-381/S11-GN	11	130
HFLS1D23-381/S12-GN	12	120
HFLS1D23-381/S13-GN	13	120
HFLS1D23-381/S14-GN	14	110
HFLS1D23-381/S15-GN	15	100
HFLS1D23-381/S16-GN	16	100
HFLS1D23-381/S17-GN	17	90
HFLS1D23-381/S18-GN	18	90
HFLS1D23-381/S19-GN	19	80
HFLS1D23-381/S20-GN	20	80
HFLS1D23-381/S21-GN	21	80
HFLS1D23-381/S22-GN	22	70
HFLS1D23-381/S23-GN	23	70
HFLS1D23-381/S24-GN	24	70

Disclaimer:

The specification is for reference only. See to "Terminology and Guidelines" for more information. Specifications subject to change without notice. We could not evaluate all the performance and all the parameters for every possible application. Thus the user should be in a right position to choose the suitable product for their own application. If there is any query, please contact Hongfa for the technical service. However, it is the user's responsibility to determine which product should be used only.