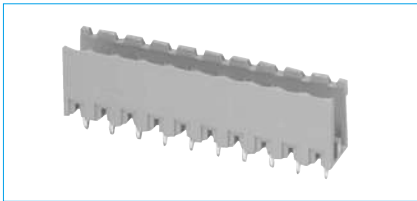


HFLS1D21-508

Plug-in terminal block



FEATURES

- Standard needle type connector
- the plug-in direction of is vertical to PCB
- Without side panel

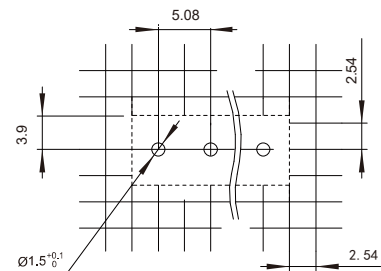
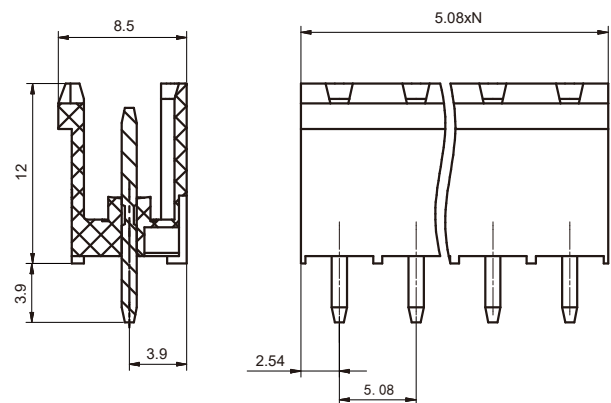
SPECIFICATION

Load	15A 300V (ULstandard) 12A 250V (IEC standard)
Poles	2~16
Pitch	5.08mm
Rated Dielectric Strength	2200Vac/min
Rated Withstand Pulse Voltage	4kV
Ambient Temperature	-40℃~105℃

DIMENSIONAL DRAWING

OUTLINE DIMENSIONS, WIRING DIAGRAM

Unit:mm



- Remark: 1) In case of no tolerance shown in outline dimension: outline dimension $\leq 1\text{mm}$, tolerance should be $\pm 0.2\text{mm}$; outline dimension $> 1\text{mm}$ and $\leq 5\text{mm}$, tolerance, should be $\pm 0.3\text{mm}$; outline dimension $> 5\text{mm}$, tolerance should be $\pm 0.4\text{mm}$.
- 2) The tolerance without indicating for PCB layout is always $\pm 0.1\text{mm}$.

ORDERING DATA

TYPE	POLES	PCS/BOX
HFLS1D21-508/S2-GN	2	440
HFLS1D21-508/S3-GN	3	290
HFLS1D21-508/S4-GN	4	220
HFLS1D21-508/S5-GN	5	180
HFLS1D21-508/S6-GN	6	150
HFLS1D21-508/S7-GN	7	130
HFLS1D21-508/S8-GN	8	110
HFLS1D21-508/S9-GN	9	100
HFLS1D21-508/S10-GN	10	90
HFLS1D21-508/S11-GN	11	80
HFLS1D21-508/S12-GN	12	80
HFLS1D21-508/S13-GN	13	70
HFLS1D21-508/S14-GN	14	60
HFLS1D21-508/S15-GN	15	60
HFLS1D21-508/S16-GN	16	60

Disclaimer:

The specification is for reference only. See to "Terminology and Guidelines" for more information. Specifications subject to change without notice.

We could not evaluate all the performance and all the parameters for every possible application. Thus the user should be in a right position to choose the suitable product for their own application. If there is any query, please contact Hongfa for the technical service. However, it is the user's responsibility to determine which product should be used only.

@ Xiamen Hongfa Electroacoustic Co., Ltd. All rights of Hongfa are reserved.