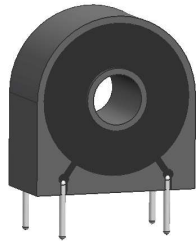




HFCT- D406 ANTI-DC CURRENT TRANSFORMER



Applications

Electric meter, AC frequency conversion speed regulation, servo motor, Uninterruptible Power Supplies (UPS) Switching power supply, Power supplies for welding

Features

- Compact and beautiful appearance, small size and light weight
- Strong insulation isolation
- High precision, good linearity
- Protect against moisture and shock

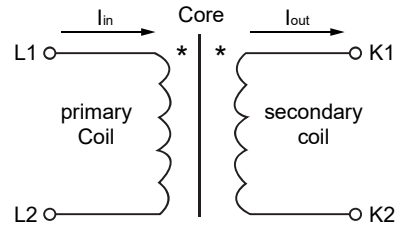
Electrical data (Ta=25°C)

Turns	3000:1
Rated primary current (Ib)	5A
Maximum current (Imax)	80A
Rated secondary current	1.667mA
Load resistance (Rb)	10Ω
Accuracy class	0.2
Insulation strength	2.5kVa.c, 50/60Hz, 1min
Insulation resistance	≥500MΩ (500V.DC)
Operating temperature	-40°C ~ +85°C
Storage temperature	-40°C ~ +90°C
DC resistance	Imax/√2(acc.to IEC62053-21)

SCOPE OF APPLICATION

The HFCT- D406 series current transformer can measure AC current at 50/60Hz under electrically isolated conditions.

ELECTRICAL SCHEMATIC DIAGRAM



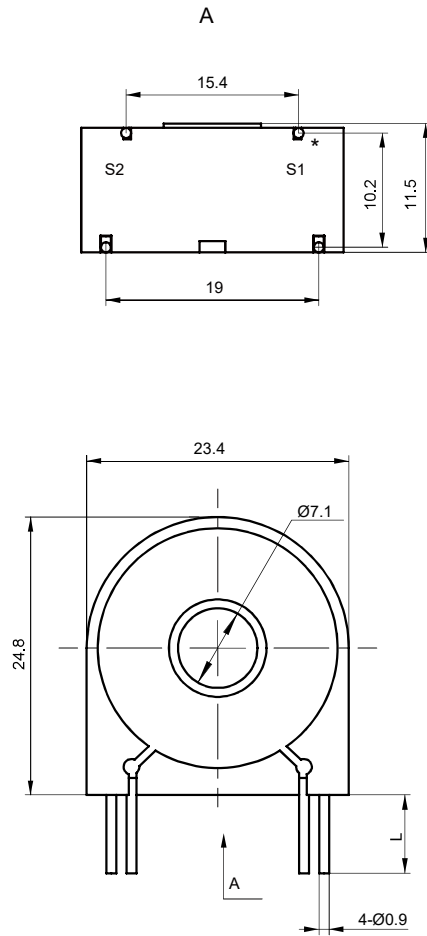
ORDERING INFORMATION

Product Part NO.	HFCT-□	/□	(□)A	□□	-□C	(□□□)
Primary Current						
Maximum current						
Secondary Output						
Accuracy Class						
Suffix Code						



HONGFA CURRENT TRANSFORMER
ISO9001 CERTIFIED

2024 Rev. 1.00



NOTES:

- 1) To avoid using current transformer under strong magnetic field, the external magnetic field will cause the accuracy of current transformer to change.
- 2) We could not evaluate all the performance and all the parameters for every possible application field and environment. Thus the user should be in a right position to choose the suitable produce for their own application. If there is any query, please contact HKG for the technical service. However, it is the use's responsibility to determine which product should be used only.
- 3) Operating temperature range in this specification refers to the maximum tolerable temperature range under specific load conditions.
- 4) To maintain the performances of current transformers, please do not make the current transformer drop or be shocked strongly.
- 5) All the performance data listed in the datasheet are the initial values tested under standard testing condition.
- 6) HKG reserves the right to change the product, the customer should confirm this specification before placing the order for the first time, may request us to provide the new specification if necessary.