

HF18FZ-AS

RELAY MODULE



File No.:
E253370(socket)
E133481(Relay)



File No.: 40048406



File No.:
CQC17002183722



Features

- 2000VAC insulation, 1000MΩ insulation resistance
- DIN rail or Screw mounting
- With 2 or 4 sets of changeover contact options
- Products with finger protection are available
- Gold plated contact product selection

RoHS compliant

CONTACT DATA

Contact arrangement	2C,4C
Contact rating (Res. load)	7A 220VAC/30VDC(2C) 5A 220VAC/30VDC(4C)
Max. switching voltage	277VAC/30VDC
Max. switching current	7A(2C), 5A(4C)

CHARACTERISTICS

Insulation resistance	1000MΩ (500VAC)	
Dielectric strength(RMS)	Between coil & contacts	2000VAC 1min
	Between open contacts	1000VAC 1min
	contacts	2000VAC 1min(2C) 1500VAC 1min(4C)
Operate time (at nomi. volt.)	20ms max.	
Release time (at nomi. volt.)	15ms (DCtype max.) 25ms (ACtype max.)	
Humidity (RH)	5% to 85%RH	
Ambient temperature	-40°C to 70°C	

COIL DATA

23°C

Nominal Voltage VAC	Pick-up Voltage VAC max.	Drop-out Voltage VAC min	Max. Allowable Voltage VAC
6	4.8	0.60	6.6
12	9.6	1.20	13.2
24	19.2	2.40	26.4
48	38.4	4.80	52.8
100/110	80.0	11.0	110/121
220	170.0	22.0	242.0

Nominal Voltage VAC	Pick-up Voltage VAC max.	Drop-out Voltage VAC min	Max. Allowable Voltage VAC
12	9.6	3.60	13.2
24	19.2	7.20	26.4
48	38.4	14.4	52.8
110/120	88.0	36.0	121/132
200/220	160.0	66.0	220/242
220/240	176.0	72.0	242/264



HONGFA RELAY
ISO9001,IATF16949,ISO14001,ISO45001,IECQ QC 080000 CERTIFIED

2025 Rev. 1.00

ORDERING INFORMATION

HF18FZ-AS/□□□□-□□23□□(XXX)-C□(XXX)-AA-H□	
Relay module	HF18FZ: Relay Type AS: module
Coil voltage	A: AC(50HZ or 60HZ) Nil: DC
Relay coil voltage	DC: (6~220)VDC AC: (12~240)VAC
Contact arrangement	2Z: 2 Form C 4Z: 4 Form C
Installation method	2: QC terminal
Contact material	3: AgNi
Component code	Nil: without component J: freewheeling diode
Interface function code	1: no LED no test button type 2: with LED no test button type
Relay special code²⁾	XXX: The customer special requirement Nil: Standard type
Matching socket	C2, C4, C5, C10 for 2Z C2, C4, C5, C10 for 4Z
Socket special code²⁾	XXX: The customer special requirement Nil: Standard type
Auxiliary module	C4, C5 and C10 series available; see HFAA-HFHU Instruction Manual for details.
Matching retaining clip	H2 for C2 H5 for C4,C5,C10

Notes: 1) The AS component model is for customer ordering convenience only; the actual marking shall prevail as printed on the relay and socket products.
2) The customer special requirement express as special code after evaluating by Hongfa;
3) Only the relays with DC coil voltage form are available with freewheeling diode.

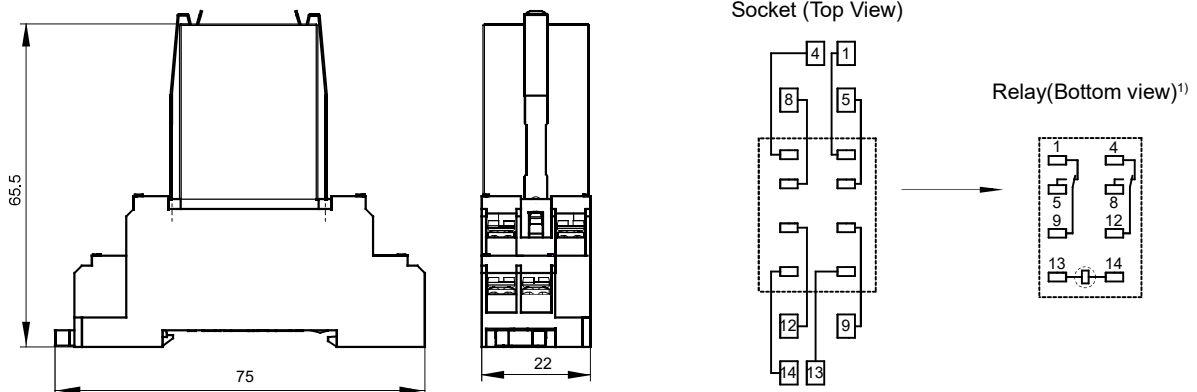
OUTLINE DIMENSIONS, WIRING DIAGRAM

Unit: mm

Outline Dimensions

Wiring Diagram(Bottom view)

HF18FZ-AS/□□-2Z2□□□-C2-H2



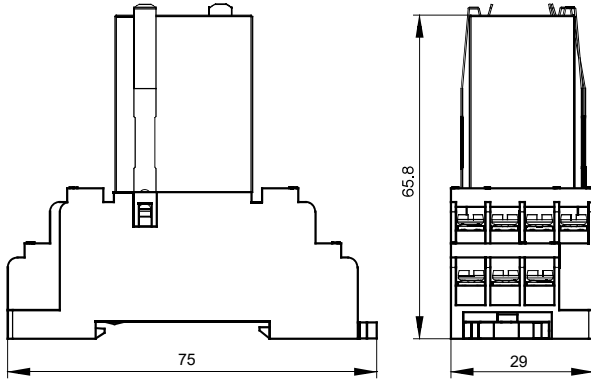
Notes: 1) For the relay wiring diagram, please refer to the instruction manual of Relay HF18FZ.

OUTLINE DIMENSIONS, WIRING DIAGRAM

Unit: mm

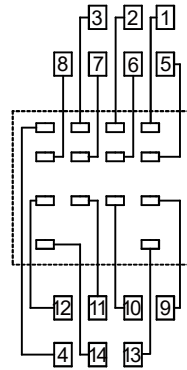
Outline Dimensions

HF18FZ-AS/□□-4Z2□□□-C2-H2

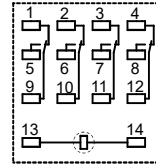


Wiring Diagram(Bottom view)

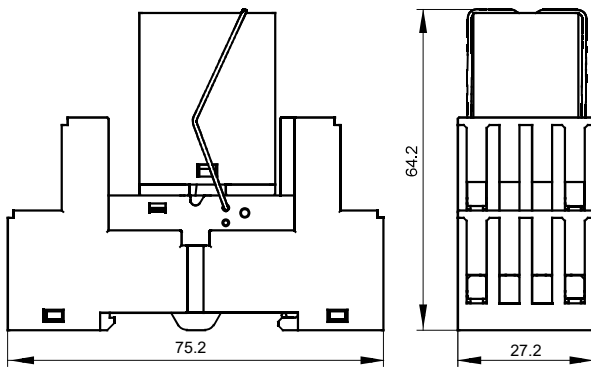
Socket (Top View)



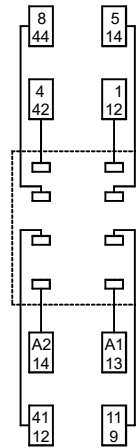
Relay(Bottom view)¹⁾



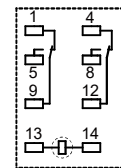
HF18FZ-AS/□□-2Z2□□□-C4-H2



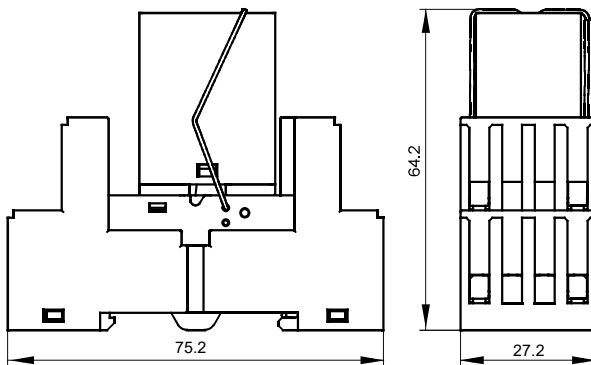
Socket (Top View)



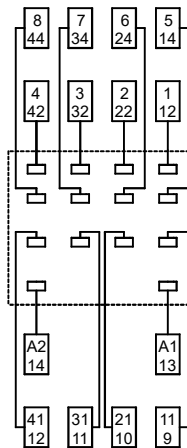
Relay(Bottom view)¹⁾



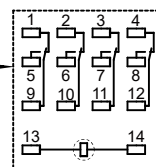
HF18FZ-AS/□□-4Z2□□□-C4-H5



Socket (Top View)



Relay(Bottom view)¹⁾



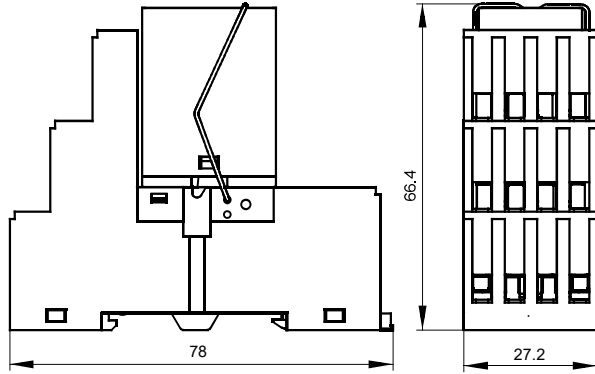
Notes: 1) For the relay wiring diagram, please refer to the instruction manual of Relay HF18FZ.

OUTLINE DIMENSIONS, WIRING DIAGRAM

Unit: mm

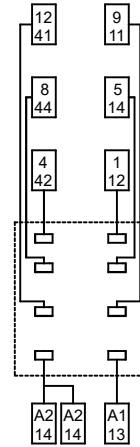
Outline Dimensions

HF18FZ-AS/□□-2Z2□□□-C5-H5

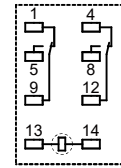


Wiring Diagram(Bottom view)

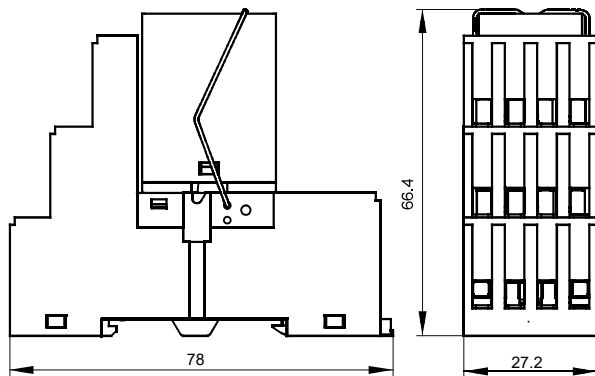
Socket (Top View)



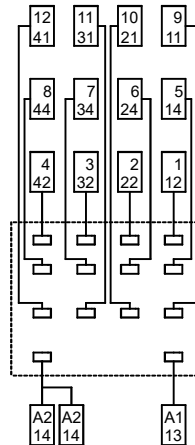
Relay(Bottom view)¹⁾



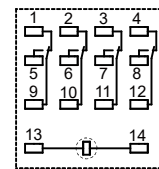
HF18FZ-AS/□□-4Z2□□□-C5-H5



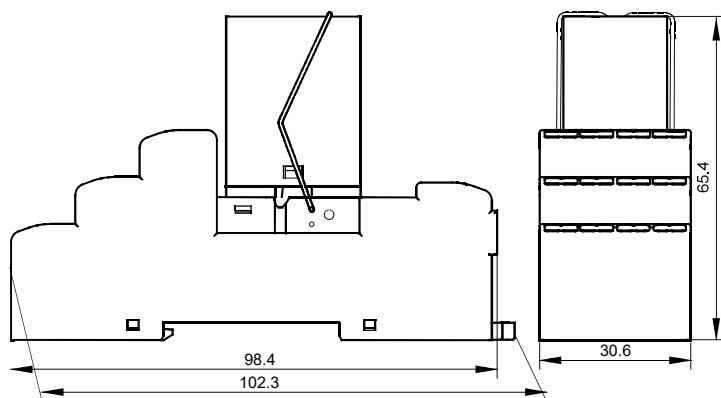
Socket (Top View)



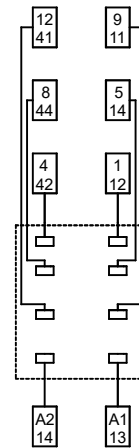
Relay(Bottom view)¹⁾



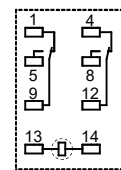
HF18FZ-AS/□□-2Z2□□□-C10-H5



Socket (Top View)



Relay(Bottom view)¹⁾



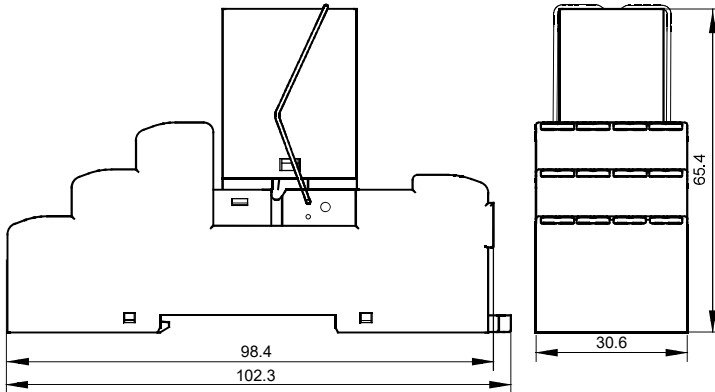
Notes: 1) For the relay wiring diagram, please refer to the instruction manual of Relay HF18FZ.

OUTLINE DIMENSIONS, WIRING DIAGRAM

Unit: mm

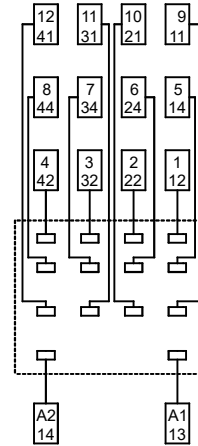
Outline Dimensions

HF18FZ-AS/□□-4Z2□□□-C10-H5

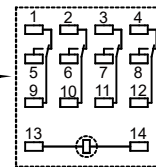


Wiring Diagram(Bottom view)

Socket (Top View)



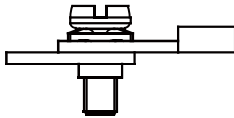
Relay(Bottom view)¹⁾



Notes: 1) For the relay wiring diagram, please refer to the instruction manual of Relay HF18FZ.

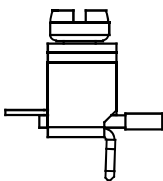
COMPONENT ORDERING INFORMATION

Gasket screw relay



P/N	module type	relay type	socket type	retainer type
—	HF18FZ-AS/24-2Z231-C2-H2	HF18FZ/24-2Z231	18FF-2Z-C2	18FF-H2
—	HF18FZ-AS/A24-2Z231-C2-H2	HF18FZ/A24-2Z231		
—	HF18FZ-AS/100/110-2Z231-C2-H2	HF18FZ/100/110-2Z231		
—	HF18FZ-AS/A220/240-2Z231-C2-H2	HF18FZ/A220/240-2Z231		
—	HF18FZ-AS/24-4Z231-C2-H2	HF18FZ/24-4Z231	18FF-4Z-C2	
—	HF18FZ-AS/A24-4Z231-C2-H2	HF18FZ/A24-4Z231		
—	HF18FZ-AS/100/110-4Z231-C2-H2	HF18FZ/100/110-4Z231		
—	HF18FZ-AS/A220/240-4Z231-C2-H2	HF18FZ/A220/240-4Z231		

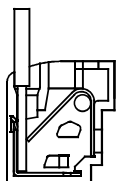
Screw terminal



P/N	module type	relay type	socket type	retainer type
—	HF18FZ-AS/24-2Z231-C4-H5	HF18FZ/24-2Z231	18FF-2Z-C4	18FF-H5
—	HF18FZ-AS/A24-2Z231-C4-H5	HF18FZ/A24-2Z231		
—	HF18FZ-AS/100/110-2Z231-C4-H5	HF18FZ/100/110-2Z231		
—	HF18FZ-AS/A220/240-2Z231-C4-H5	HF18FZ/A220/240-2Z231		
—	HF18FZ-AS/24-4Z231-C4-H5	HF18FZ/24-4Z231	18FF-4Z-C4	
—	HF18FZ-AS/A24-4Z231-C4-H5	HF18FZ/A24-4Z231		
—	HF18FZ-AS/100/110-4Z231-C4-H5	HF18FZ/100/110-4Z231		
—	HF18FZ-AS/A220/240-4Z231-C4-H5	HF18FZ/A220/240-4Z231		
—	HF18FZ-AS/24-2Z231-C5-H5	HF18FZ/24-2Z231	18FF-2Z-C5	
—	HF18FZ-AS/A24-2Z231-C5-H5	HF18FZ/A24-2Z231		
—	HF18FZ-AS/100/110-2Z231-C5-H5	HF18FZ/100/110-2Z231		
—	HF18FZ-AS/A220/240-2Z231-C5-H5	HF18FZ/A220/240-2Z231		
—	HF18FZ-AS/24-4Z231-C5-H5	HF18FZ/24-4Z231	18FF-4Z-C5	
—	HF18FZ-AS/A24-4Z231-C5-H5	HF18FZ/A24-4Z231		
—	HF18FZ-AS/100/110-4Z231-C5-H5	HF18FZ/100/110-4Z231		
—	HF18FZ-AS/A220/240-4Z231-C5-H5	HF18FZ/A220/240-4Z231		

COMPONENT ORDERING INFORMATION

Push-in type 



P/N	module type	relay type	socket type	retainer type
—	HF18FZ-AS/24-2Z231-C10-H5	HF18FZ/24-2Z231	18FF-2Z-C10	18FF-H5
—	HF18FZ-AS/A24-2Z231-C10-H5	HF18FZ/A24-2Z231		
—	HF18FZ-AS/100/110-2Z231-C10-H5	HF18FZ/100/110-2Z231		
—	HF18FZ-AS/A220/240-2Z231-C10-H5	HF18FZ/A220/240-2Z231	18FF-4Z-C10	
—	HF18FZ-AS/24-4Z231-C10-H5	HF18FZ/24-4Z231		
—	HF18FZ-AS/A24-4Z231-C10-H5	HF18FZ/A24-4Z231		
—	HF18FZ-AS/100/110-4Z231-C10-H5	HF18FZ/100/110-4Z231		
—	HF18FZ-AS/A220/240-4Z231-C10-H5	HF18FZ/A220/240-4Z231		

Precautions when choosing components:

1. The main external dimension, when the external dimension > 50mm, the tolerance is $\pm 1\text{mm}$; When the 20mm dimensions are between 50mm, the tolerance is $\pm 0.5\text{mm}$; When the 5mm < dimensions are between $\leq 20\text{mm}$, The tolerance is $\pm 0.4\text{mm}$, and when the overall dimension is $\leq 5\text{mm}$, the tolerance is $\pm 0.3\text{mm}$;
2. For rail installation, it is recommended to use DIN standard 35×7.5×1, 35×15×1 standard rails. When installed vertically, the coil terminal at the bottom please .Any other direction.

Disclaimer

The specification is for reference only. See to "Terminology and Guidelines" for more information. Specifications subject to change without notice. We could not evaluate all the performance and all the parameters for every possible application. Thus the user should be in a right position to choose the suitable product for their own application. If there is any query, please contact Hongfa for the technical service. However, it is the user's responsibility to determine which product should be used only.

© Xiamen Hongfa Electroacoustic Co., Ltd. All rights of Hongfa are reserved.