

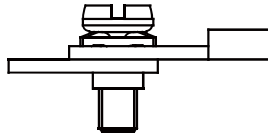
# 18FF Series

# Gasket screw Relay Socket



## ORDERING INFORMATION

Type	18FF	-2Z	-C1
Contact arrangement	2Z: 2 Form C 4Z: 4 Form C		
Termination & mounting	C1/C2/C8: Gasket screw terminal		


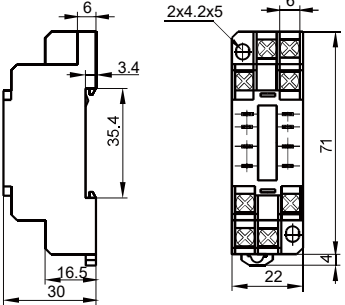
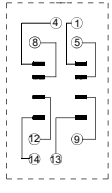
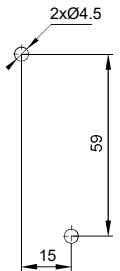


File No.:E253370

## CHARACTERISTICS

Type	Nominal Voltage	Nominal Current	Ambient Temperature	Dielectric Strength min.	Screw Torque	Wire Strip Length	Unit weight	Min. package qty.
18FF-2Z-C1	250VAC	7A	-40°C to 70°C	2000 Vrms	0.8N·m	7mm	Approx.35g	6
18FF-2Z-C2	250VAC	7A	-40°C to 70°C	2000 Vrms	0.8N·m	7mm	Approx.36g	20
18FZ-2Z-C2	250VAC	7A	-40°C to 70°C	2000 Vrms	0.8N·m	7mm	Approx.35g	20
18FF-2Z-C8	250VAC	7A	-40°C to 70°C	2000 Vrms	0.6N·m	7mm	Approx.41g	30
18FF-4Z-C1	250VAC	7A*	-40°C to 70°C	2000 Vrms	0.8N·m	7mm	Approx.58g	5
18FF-4Z-C2	250VAC	7A*	-40°C to 70°C	2000 Vrms	0.8N·m	7mm	Approx.59g	5
18FZ-4Z-C2	250VAC	5A	-40°C to 70°C	2000 Vrms	0.6N·m	7mm	Approx.44g	5
18FF-4Z-C8	250VAC	7A*	-40°C to 70°C	2000 Vrms	0.6N·m	7mm	Approx.51g	30
18FF-2Z-C1(734)	250VAC	12A	-40°C to 70°C	2000 Vrms	0.8N·m	7mm	Approx.35g	6
18FF-2Z-C2(734)	250VAC	12A	-40°C to 70°C	2000 Vrms	0.8N·m	7mm	Approx.36g	20

## OUTLINE DIMENSIONS, WIRING DIAGRAM AND PC BOARD LAYOUT

Socket (If need accessory,please order with type.)	Outline Dimensions	Wiring Diagram	PCB Layout	Accessory Available
18FF-2Z-C1 18FF-2Z-C1(734)  <p>Screw Terminal, DIN rail or Screw mounting, Without finger protection device Applicable for 2 poles</p>	 <p>(Top View)</p>	 <p>(Top View)</p>		Metallic retainer: 18FF-H2 (be used in sets) 18FF-H3

Notes: If need accessory,please order with type.

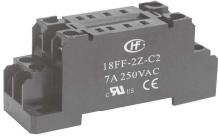
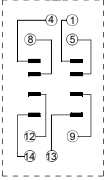
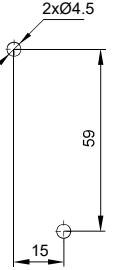

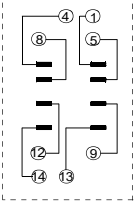
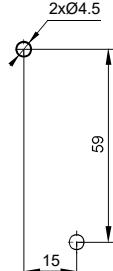

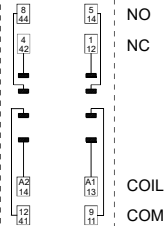
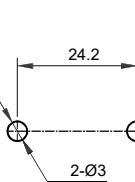
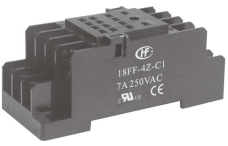
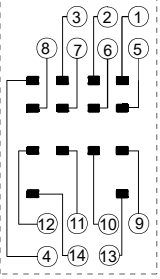
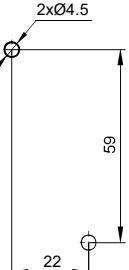


HONGFA RELAY

ISO9001,IATF16949,ISO14001,OHSAS18001,IECQ QC 080000 CERTIFIED


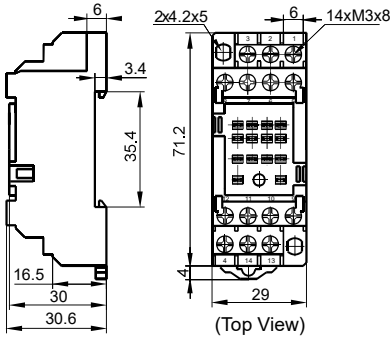
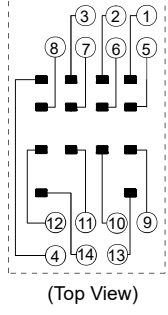
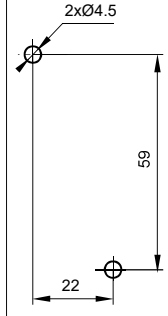

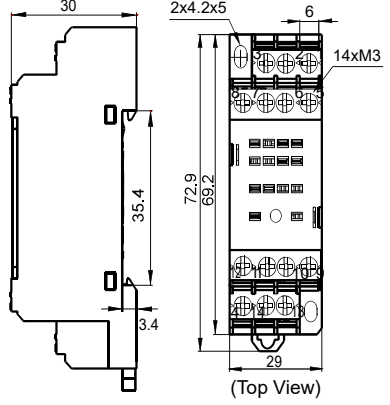
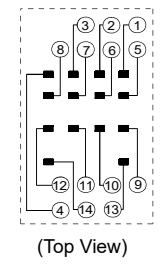
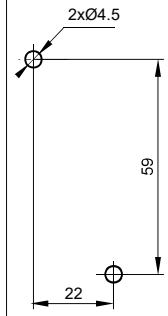

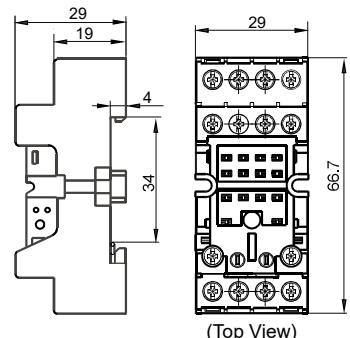
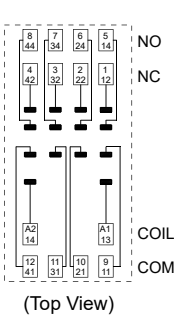
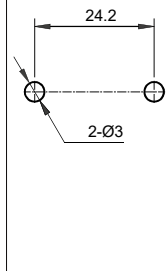
2024 Rev. 1.00

## OUTLINE DIMENSIONS, WIRING DIAGRAM AND PC BOARD LAYOUT

Socket (If need accessory, please order with type.)	Outline Dimensions	Wiring Diagram	PCB Layout	Accessory Available
<p><b>18FF-2Z-C2</b> <b>18FF-2Z-C2(734)</b></p>  <p>Screw Terminal, DIN rail or Screw mounting, With finger protection device Applicable for 2 poles</p>	<p style="text-align: center;">(Top View)</p>	 <p style="text-align: center;">(Top View)</p>		<p>Metallic retainer: <b>18FF-H2</b> (be used in sets)</p>
<p><b>18FZ-2Z-C2</b></p>  <p>Screw Terminal, DIN rail or Screw mounting, With finger protection device</p>	<p style="text-align: center;">(Top View)</p>	 <p style="text-align: center;">(Top View)</p>		<p>Metallic retainer: <b>18FF-H2</b> (be used in sets) <b>18FF-H3</b></p>
<p><b>18FF-2Z-C8</b></p>  <p>Screw Terminal, DIN rail or Screw mounting, With finger protection device Applicable for 2 poles</p>	<p style="text-align: center;">(Top View)</p>	 <p style="text-align: center;">(Top View)</p>		<p>Plastic retainer: <b>18FF-H4</b> Metallic retainer: <b>18FF-H5</b> Marker: <b>18FF-M3</b> Plug-in module: <b>HFAA~HFHU*</b></p>
<p><b>18FF-4Z-C1</b></p>  <p>Screw Terminal, DIN rail or Screw mounting, Without finger protection device Applicable for 4 poles</p>	<p style="text-align: center;">(Top View)</p>	 <p style="text-align: center;">(Top View)</p>		<p>Metallic retainer: <b>18FF-H2</b> (be used in sets)</p>

Notes: If need accessory, please order with type.

## OUTLINE DIMENSIONS, WIRING DIAGRAM AND PC BOARD LAYOUT

Socket (If need accessory, please order with type.)	Outline Dimensions	Wiring Diagram	PCB Layout	Accessory Available
 <p>18FF-4Z-C2 7A 250VAC</p> <p>Screw Terminal, DIN rail or Screw mounting, With finger protection device Applicable for 4 poles</p>	 <p>(Top View)</p>	 <p>(Top View)</p>		<p>Metallic retainer: 18FF-H2 (be used in sets)</p>
 <p>18FZ-4Z-C2 5A 250VAC</p> <p>Screw Terminal, DIN rail or Screw mounting, With finger protection device</p>	 <p>(Top View)</p>	 <p>(Top View)</p>		<p>Metallic retainer: 18FF-H2 (be used in sets)</p>
 <p>18FF-4Z-C8</p> <p>Screw Terminal, DIN rail or Screw mounting, With finger protection device Applicable for 4 poles</p>	 <p>(Top View)</p>	 <p>(Top View)</p>		<p>Plastic retainer: 18FF-H4 Metallic retainer: 18FF-H5 Marker: 18FF-M3 Plug-in module: HFAA~HFHU*</p>

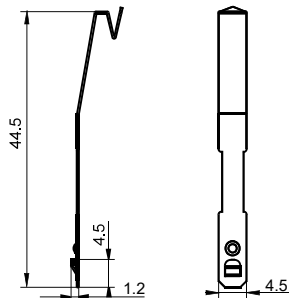
Notes: If need accessory, please order with type.

## DIMENSION OF RELATED ACCESSORY (AVAILABLE)

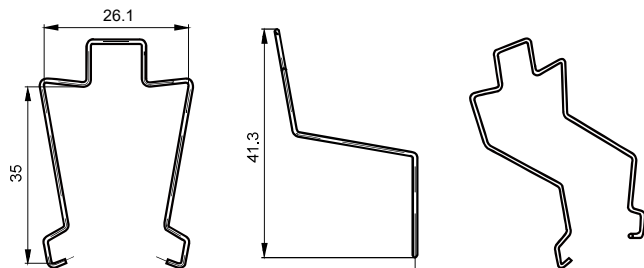
Unit: mm

### Retainer

18FF-H2 (Metallic retainer)



18FF-H3 (Metallic retainer)



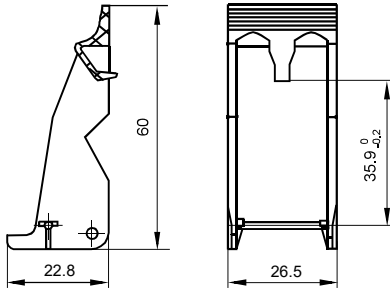
Remark: 18FF-H2 retainer has to be used in sets, please pay special attention while placing the order.

## DIMENSION OF RELATED ACCESSORY (AVAILABLE)

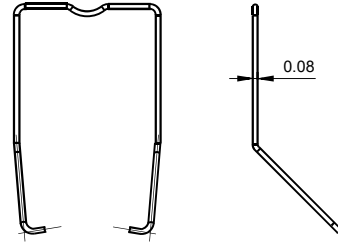
Unit: mm

### Retainer

18FF-H4(Plastic retainer)

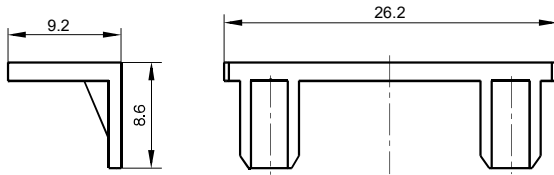


18FF-H5(Metallic retainer)



### Marker

18FF-M1



## SELECTION OF PARTS

Type of Relay	Mounting termination	Socket	Retainer	Marker	Module
HF18FF/□□-2Z1 □□□	without button	18FF-2Z-A2	18FF-H1	—	—
		18FF-2Z-C1	18FF-H2/H3		
		18FF-2Z-C2			
		18FZ-2Z-C2			
		18FF-2Z-C4	18FF-H4/H5	18FF-M1	HFAA~HFHU
		18FF-2Z-C5		18FF-M3	
		18FF-2Z-C8		18FF-M1	
		18FF-2Z-C9			
		18FF-2Z-C10			
		HF18FF/□□-3Z1 □□□			
18FF-3Z-C5					

## SELECTION OF PARTS

Type of Relay	Mounting termination	Socket	Retainer	Marker	Module	
HF18FF/□□-4Z1□□□	without button	18FF-4Z-A2	18FF-H1	—	—	
		18FF-4Z-C1	18FF-H2			
		18FF-4Z-C2				
		18FZ-4Z-C2				
		18FF-4Z-C4	18FF-H4/H5	18FF-M1	HFAA~HFHU	
				18FF-4Z-C5		
				18FF-4Z-C8		
				18FF-4Z-C9		
18FF-4Z-C10		18FF-M1				
	HF18FH/□□-2Z1□□□	with button	18FF-2Z-C1	18FF-H3	-	—
			18FF-2Z-C2			
			18FZ-2Z-C2			
18FF-2Z-C4			18FF-H4/H5	18FF-M1	HFAA~HFHU	
				18FF-2Z-C5		
				18FF-2Z-C8		
				18FF-2Z-C9		
18FF-2Z-C10				18FF-M3		
	18FF-3Z-C4	18FF-M1				
			18FF-3Z-C5			
	18FF-4Z-C4	18FF-M1				
18FF-4Z-C5						
			18FF-4Z-C8	18FF-M3		
18FF-4Z-C9						
	18FF-4Z-C10	18FF-M1				
HF18FF-G/□□-2Z1□□□			without button	18FF-2Z-C1(734)	18FF-H2/H3	-
	18FF-2Z-C2(734)					
	18FF-2Z-C4(734)	18FF-H4/H5		18FF-M1	HFAA~HFHU	
	18FF-2Z-C5(734)					
HF18FF-G/□□-3Z1□□□		18FF-3Z-C5(734)				
	HF18FH-G/□□-2Z1□□□	with button	18FF-2Z-C1(734)	18FF-H3	-	-
18FF-2Z-C2(734)						
18FF-2Z-C4(734)			18FF-H4/H5	18FF-M1	HFAA~HFHU	
18FF-2Z-C5(734)						
18FF-3Z-C5(734)						
HF18FZ/□□-2Z□□□1/2□	without button	18FF-2Z-A2	18FF-H1	—	—	
		18FF-2Z-C1	18FF-H2/H3			
		18FF-2Z-C2				
		18FZ-2Z-C2				
		18FF-2Z-C4	18FF-H4/H5	18FF-M1	HFAA~HFHU	
				18FF-2Z-C5		
				18FF-2Z-C8		
				18FF-2Z-C9		
18FF-2Z-C10		18FF-M1				

## SELECTION OF PARTS

Type of Relay	Mounting termination	Socket	Retainer	Marker	Module
HF18FZ/□□-4Z□□□1/2□	without button	18FF-4Z-A2	18FF-H1	—	—
		18FF-4Z-C1	18FF-H2		
		18FF-4Z-C2			
		18FZ-4Z-C2			
		18FF-4Z-C4	18FF-H4/H5	18FF-M1	HFAA~HFHU
		18FF-4Z-C5			
		18FF-4Z-C8		18FF-M3	
		18FF-4Z-C9		18FF-M1	
		18FF-4Z-C10			
		HF18FZ/□□-2Z□□□3□	with button	18FF-2Z-C1	18FZ-H1
18FF-2Z-C2					
18FZ-2Z-C2					
18FF-2Z-C4	18FF-H4			18FF-M1	HFAA~HFHU
18FF-2Z-C5					
18FF-2Z-C8				18FF-M3	
18FF-2Z-C9				18FF-M1	
18FF-2Z-C10					
HF18FZ/□□-4Z□□□3□	with button	18FF-4Z-C1	18FZ-H1	—	—
		18FF-4Z-C2			
		18FZ-4Z-C2			
		18FF-4Z-C4	18FF-H4	18FF-M1	HFAA~HFHU
		18FF-4Z-C5			
		18FF-4Z-C8		18FF-M3	
		18FF-4Z-C9		18FF-M1	
		18FF-4Z-C10			

### Things to be noticed when selecting sockets:

1. Please choose suitable relay socket according to the actual mounting environment, relay contact poles and terminal layout. If there is any query on selection, please contact Hongfa for the technical service;
2. Relevant accessories must be selected separately. Please indicate the model of the selected accessories when ordering;
3. Main outline dimension, outline dimension > 50mm, tolerance should be ±1mm; 20mm < outline dimension ≤ 50mm, tolerance should be ±0.5mm; 5mm < outline dimension ≤ 20mm, tolerance should be ±0.4mm, outline dimension ≤ 5mm, tolerance should be ±0.3mm;
4. DIN rail mounting: recommend to use standard rail 35×7.5×1mm, 35×15×1mm.

### Disclaimer

The specification is for reference only. See to "Terminology and Guidelines" for more information. Specifications subject to change without notice. We could not evaluate all the performance and all the parameters for every possible application. Thus the user should be in a right position to choose the suitable product for their own application. If there is any query, please contact Hongfa for the technical service. However, it is the user's responsibility to determine which product should be used only.

© Xiamen Hongfa Electroacoustic Co., Ltd. All rights of Hongfa are reserved.