

Contactors Catalogue

For more information please visit our website:

www.hongfa.com





Established in 1984, Hongfa (stock code: 600885) has achieved the scale of multi-category products research/production and international sales abiding by the enterprise spirit of “Persevere for Progress, Strive for Excellence”. At present, Hongfa owns 38 fully-owned or holding subsidiaries with completed factory area of 350 thousand square meters and new factory area of 540 thousand square meters under construction. Hongfa products including switching devices (circuit breaker, contactor, SPD etc.), high/low voltage switchgear, relay, precision components, automation equipments etc.

Hongfa technical center, which is of state class in China, the R&D team is constituted of top technical personnel in the industry. The center has led the formulation of several national standards and implementation of several national key projects. Meanwhile, Hongfa is the only enterprise that owns postdoctor working station and academician working station of the industry in China.

Hongfa test & inspection center is the biggest and technically most advanced inspection and analysis lab of the industry in China. Also, the center is approved by VDE (German), UL (North America) and CNAS (China). Hongfa has gotten domestic/overseas safety certificates of UL/CUL, VDE, TÜV, CQC etc. for its products.

Hongfa Sales Center exploit the international high level market with abundant experience and advantage, which has won the strategic cooperation opportunity with the worldwide famous switching and electrification devices manufacturer. Many worldwide top 500 enterprises and domestic famous companies have become our partners, such as SAMSUNG, UTC, EATON, ENEL, INGERSOLL RAND, JCI, GE, EMERSON, HONEYWELL, Faxcoon, China State Grid, China Southern Grid, China Telecom, China Railway Engineering, China Railway Construction, China Coal, China Shenhua Group, China Huadian Group, China Guodian Group, China Huaneng, China Datang, Greenland Group, Gold Wind, TBEA, Gree, Media, Haier, and regional power companies.

Hongfa is willing to develop with global customers hand in hand to share the convenience and achievement brought to the humanbeing by the technology!

Cross reference

Definite Purpose Contactors

HONGFA	Tyco/PU	Siemens/Furnas	GE	CUTLER –hammer	Schneider/Square D.	Honeywell
XMC0	3100	42/45	CR453	C25	8910	R82



Contents

XMC0 Series

Description	▶ 01
Features	▶ 01
Environmental Characteristics	▶ 01
Model Nomenclature-Ordering Information	▶ 02
Type Model Nomenclature - Ordering Information	▶ 05
Outline Dinmensions	▶ 11
Wiring Diagram	▶ 22
Main Contact Terminals	▶ 23
Remarks	▶ 24

XMC0 Series

Definite Purpose Contactors

Description

Hongfa's Definite Purpose Contactor XMC0 meets the high requirements demands of the HVAC, refrigeration, heating,

data processing, welding, elevators, hoist & cranes, pool, commercial spa, and food service equipment industries. Hongfa contactors are compliance with UL 60947-4-1, GB/T 14048.4, IEC 60947-4-1 and EN 60947-4-1.



Features

1. Tools-free accessories for quick & easy snap on assembly.
2. Various terminal options for specific application.
3. Standard mounting plate.
4. Silver alloy contact can reach higher electrical endurance.
5. Class F (155°C) Coil insulation supporting a wide range of coil voltage, standard coil frequency 50/60Hz.
6. Coil cover optional for 1 pole and 2 pole AC contactors.
7. UL(USR/CNR) and CCC approved, some models with TÜV or KC certificate.
8. Flame arrest-protected components for use in refrigeration and air-conditioning equipment employing A2L refrigerants (Except for 2 poles Quantum, 2 poles w/ the contact normally closed, 1 pole & 2 poles w/ DC coil and 4 poles).
9. XMC0 25-63A of 1 pole, 2 poles and 3 poles have the test button on the cover.

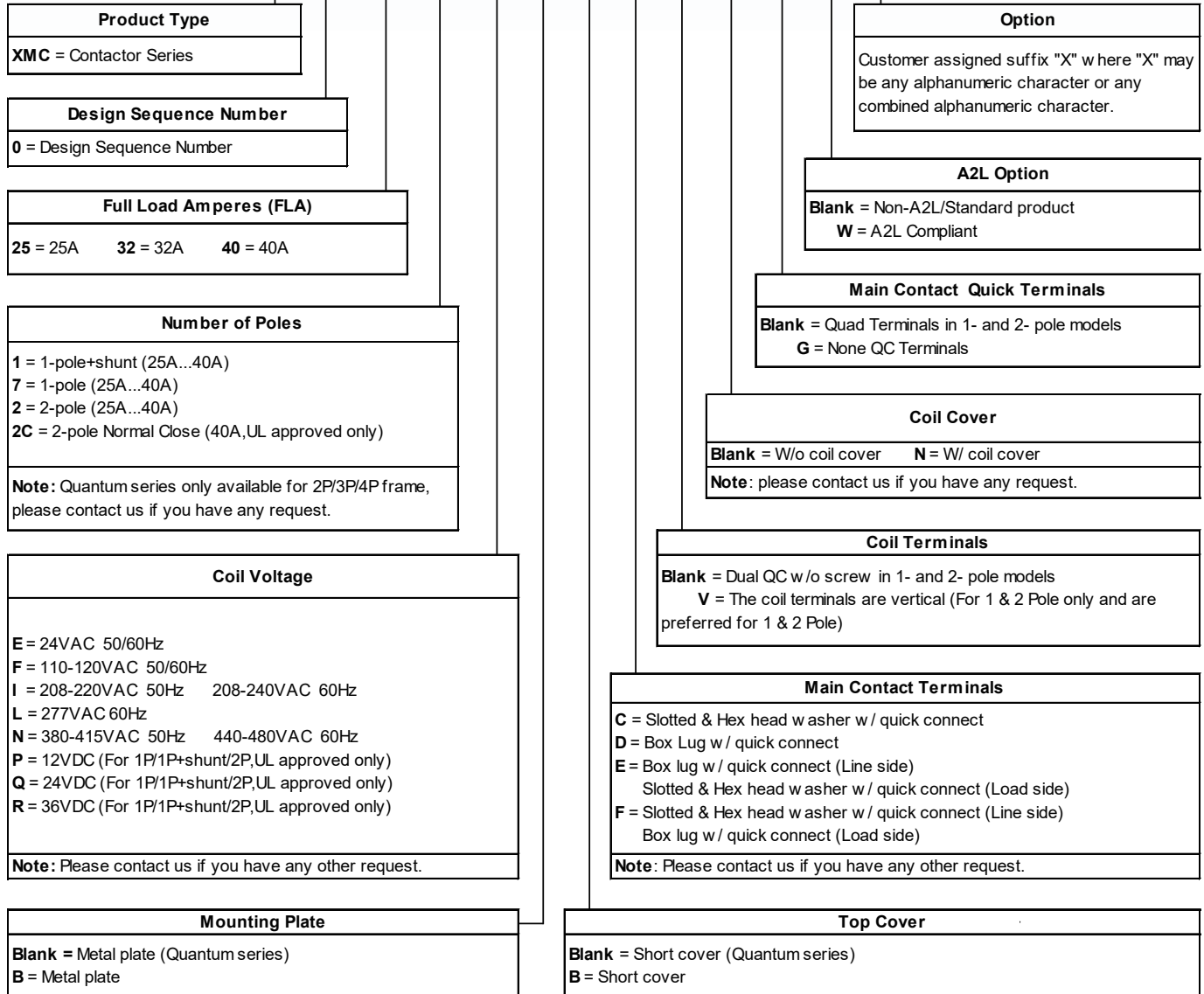
Environmental characteristics

Operating position		Vertical or Horizontal (Metal/Plastic base mounting)
Ambient temperature	Operation	-40°C...+70°C/ -40°F...+158°F
	Storage	-40°C...+70°C / -40°F... +158°F
Relative humidity		90%...95% at 40°C
Pollution degree		3

Model nomenclature - Ordering Information

Model nomenclature - Ordering Information (1P&2P)

XMC 0 - 40 2 . E B B C V N G W -X



Model nomenclature - Ordering Information (3P&4P)

XMC 0 - 50 J33 . E C 0 0 F G Z W -X

Product Type
XMC = Contactor Series

Design Sequence Number
0 = Design Sequence Number

Full Load Amperes (FLA)

25 = 25A	63 = 63A
32 = 32A	75 = 75A
40 = 40A	90 = 90A
50 = 50A	

Number of Poles

3 = 3-pole (25A...90A)
 3A = 2-pole (3P frame, 25-90A)
 4 = 4-pole (25A...40A, UL approved and TÜV approved only)
Jm n = Matching mechanically interlocked block (3P/4P frame). "m" = 2 or 3 or 4, number of poles of the contactor A (on the left) and "n" = 2 or 3 or 4, number of poles of the contactor B (on the right).

Note: Quantum series only available for 2P/3P/4P frame, please contact us if you have any request.

Coil Voltage

E = 24VAC 50/60Hz
 F = 110-120VAC 50/60Hz
 I = 208-220VAC 50Hz 208-240VAC 60Hz
 L = 277VAC 60Hz
 N = 380-415VAC 50Hz 440-480VAC 60Hz

Note: Please contact us if you have any other request.

Main Contact Terminals

C = Slotted & Hex head washer w / quick connect
 D = Box Lug w / quick connect
 E = Box lug w / quick connect (Line side)
 Slotted & Hex head washer w / quick connect (Load side)
 F = Slotted & Hex head washer w / quick connect (Line side)
 Box lug w / quick connect (Load side)

Note: Please contact us if you have any other request.

Option

Customer assigned suffix "X" where "X" may be any alphanumeric character or any combined alphanumeric character.

A2L Option

Blank = Non-A2L/Standard product
 W = A2L Compliant

Contact Construction Style (For 50/63 FLA only)

Blank = Flat construction in shape
 Z = Bend construction in shape (No "Break All Lines" restriction)

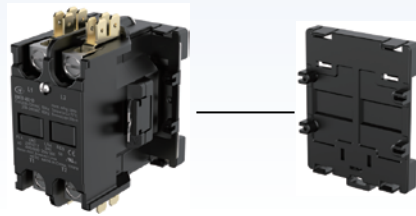
Main Contact Quick Terminals

Blank = Dual Terminals in 3/4-pole models
 G = None QC Terminals
 Q = Quad Terminals in 3/4-pole models (Only the side no coil terminals)

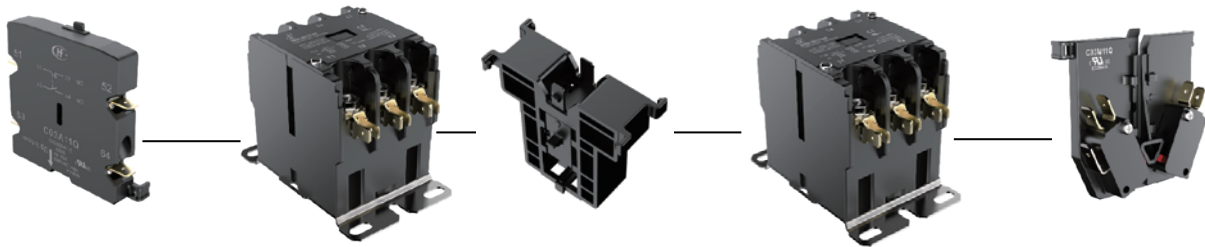
Coil Terminals

Blank = Single QC with screw in 3/4-pole models
 F = Dual QC in 3/4-pole models (For 25A...63A , When the pole code is 3 or 3A, it is selected by default. For 25A...40A , When the pole code is 4, it is selected only)

Auxiliary Contacts or Microswitch on Left Side	Auxiliary Contacts or Microswitch on Right Side
<p>0 = None (Standard Type) 1 = 1NC + 1NO, 0.250" quick connect terminal 3 = 1NC, 0.250" quick connect terminal 4 = 1NO, 0.250" quick connect terminal 5 = 2NC, 0.250" quick connect terminal 6 = 2NO, 0.250" quick connect terminal 1P = 1NC + 1NO, pressure plate screw 3P = 1NC, pressure plate screw 4P = 1NO, pressure plate screw 5P = 2NC, pressure plate screw 6P = 2NO, pressure plate screw L = 2 SPDT L1 = 1 SPDT, left side (position 1) of microswitch block L2 = 1 SPDT, right side (position 2) of microswitch block</p>	<p>0 = None (Standard Type) 1 = 1NC + 1NO, 0.250" quick connect terminal 3 = 1NC, 0.250" quick connect terminal 4 = 1NO, 0.250" quick connect terminal 5 = 2NC, 0.250" quick connect terminal 6 = 2NO, 0.250" quick connect terminal 1P = 1NC + 1NO, pressure plate screw 3P = 1NC, pressure plate screw 4P = 1NO, pressure plate screw 5P = 2NC, pressure plate screw 6P = 2NO, pressure plate screw R = 2 SPDT R1 = 1 SPDT, left side (position 1) of microswitch block R2 = 1 SPDT, right side (position 2) of microswitch block</p>
<p>For example: (Refer to HF logo position, see page 16.) 34P = 1NC 0.250" quick connect terminal on left side 1NO pressure plate screw on right side LR1 = 2 SPDT on left side 1 SPDT (position 1 of microswitch block) on right side 3R2 = 1NC 0.250" quick connect terminal on left side 1 SPDT (position 2 of microswitch block) on right side</p>	
<p>Note: When without an auxiliary module, if the coil terminals code is empty (without 'F'), the "00" may be omitted; otherwise, it should be retained.</p>	



DIN Rail Adapters



Auxiliary Contact Block

Interlock Block

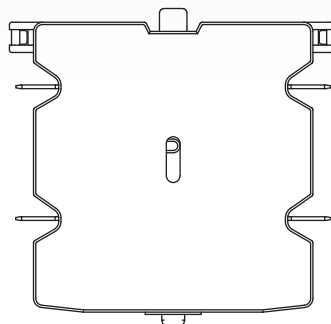
Microswitch Block

Type Model Nomenclature - Ordering Information

Auxiliary Contact Blocks:

C03 A 11 P Q X

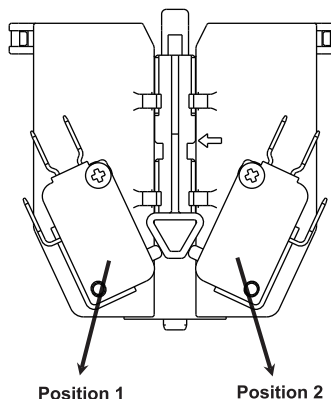
Basic Designation
C03 = For XMC0 3P/4P Series Definite Purpose Contactors.
Accessory Category
A = Auxiliary Contacts Block
Contact Type
01 = 1NC 10 = 1NO 11 = 1NC + 1NO 02 = 2NC 20 = 2NO
Note: NC = Normally Closed, NO = Normally Opened.
Quick Connect Terminals
Blank = 0.250" quick connect terminals P = Pressure plate screw (None QC terminals)
Used Function
Q = Match with Quantum series
Option
Customer assigned suffix "X" where "X" may be any alphanumeric character or any combined alphanumeric character.



Microswitch Blocks:

C03 M 10 Q X

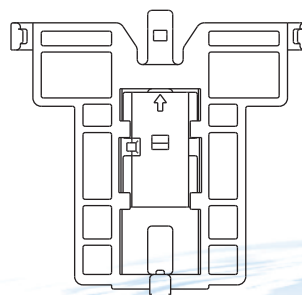
Basic Designation	
C03 = For XMC0 3P/4P Series Definite Purpose Contactors.	
Accessory Category	
M = Microswitch Block	
Contact Type	
Microswitch at Left side(position 1) for Microswitch Assembly	Microswitch at Right side(position 2) for Microswitch Assembly
0 = None 3 = 1 SPST-NC	0 = None 3 = 1 SPST-NC
1 = 1 SPDT 4 = 1 SPST-NO	1 = 1 SPDT 4 = 1 SPST-NO
Note: SPDT = Single Pole Double Throw, SPST = Single Pole Single Throw, NC = Normally Closed, NO = Normally Opened.	
Used Function	
Q = Match with Quantum series	
Option	
Customer assigned suffix "X" where "X" may be any alphanumeric character or any combined alphanumeric character.	



Interlock Blocks:

C03 J 1Q X

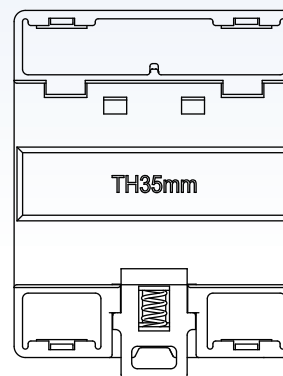
Basic Designation
C03 = For XMC0 3P/4P Series Definite Purpose Contactors.
Accessory Category
J = Mechanically Interlocked Block
Interlock Type
2Q = Match with 75-90A(Quantum series) 1Q = Match with 25-63A(Quantum series)
Option
Customer assigned suffix "X" where "X" may be any alphanumeric character or any combined alphanumeric character.



DIN Rail Adapters:

C01 D 1 X

Basic Designation
C01 = For XMC0 1P/2P Series Definite Purpose Contactors.
Accessory Category
D = DIN rail adapter
Used Function
1 = Match with 25-40A
Option
Customer assigned suffix "X" where "X" may be any alphanumeric character or any combined alphanumeric character.



Characteristics

Full Load Amps (FLA)	Poles	Voltage	Locked Rotor Amps (LRA)	Resistive Amps Rating (RES)	Maximum Horsepower (HP)			Catalog Number
					Voltage	Single Phase	Three Phase	
25	1	240/277 480 600	150 125 100	35	240/277	2	-	XMC0-257* XMC0-251*
32	1	240/277 480 600	180 150 120	40	240/277	2	-	XMC0-327* XMC0-321*
40	1	240/277 480 600	240 200 160	50	240/277	3	-	XMC0-407* XMC0-401
25	1	240/277 480 600	150 125 100	35	240/277	2	-	XMC0-257* XMC0-251* (DC Coil)
32	1	240/277 480 600	180 150 120	40	240/277	2	-	XMC0-327* XMC0-321* (DC Coil)
40	1	240/277 480 600	200 160 120	50	240/277	3	-	XMC0-407* XMC0-401 (DC Coil)
25	2	240/277 480 600	150 125 100	35	240/277	3	-	XMC0-252*
32	2	240/277 480 600	180 150 120	40	240/277	3	-	XMC0-322*
40	2	240/277 480 600	240 200 160	50	240/277	3	-	XMC0-402*
25	2	240/277 480 600	150 125 100	35	240/277	2	-	XMC0-252* (DC Coil)
32	2	240/277 480 600	180 150 120	40	240/277	2	-	XMC0-322* (DC Coil)
40	2	240/277 480 600	200 160 120	50	240/277	3	-	XMC0-402* (DC Coil)
40	2C	240/277	180	50	240/277	-	-	XMC0-402C*

Characteristics (Continued)

Full Load Amps (FLA)	Poles	Voltage	Locked Rotor Amps (LRA)	Resistive Amps Rating (RES)	Maximum Horsepower (HP)			Catalog Number
					Voltage	Single Phase	Three Phase	
25	2	240/277	150	35	240/277	3	7.5	XMC0-253A* XMC0-253* XMC0-254*
	3	480	125		480	-	15	
	4	600	100		600	-	20	
32	2	240/277	180	40	240/277	5	10	XMC0-323A* XMC0-323* XMC0-324*
	3	480	150		480	-	15	
	4	600	120		600	-	20	
40	2	240/277	240	50	240/277	7.5	10	XMC0-403A* XMC0-403* XMC0-404*
	3	480	200		480	-	20	
	4	600	160		600	-	25	
50	2	240/277	300	63	240/277	10	15	XMC0-503A* XMC0-503*
	3	480	250		480	-	25	
		600	200+		600	-	25	
63	2	240/277	360	75	240/277	10	20	XMC0-633A* XMC0-633*
	3	480	300		480	-	30	
		600	240+		600	-	30	
50	2	240/277	300	63	240/277	10	15	XMC0-503A*Z XMC0-503*Z
	3	480	250		480	-	25	
		600	200		600	-	25	
63	2	240/277	360	75	240/277	10	20	XMC0-633A*Z XMC0-633*Z
	3	480	300		480	-	30	
		600	240		600	-	30	
75	2	240/277	450	94	240/277	15	25	XMC0-753A* XMC0-753*
	3	480	375		480	-	40	
		600	300		600	-	40	
90	2	240/277	540	120	240/277	20	30	XMC0-903A* XMC0-903*
	3	480	450		480	-	50	
		600	360		600	-	50	

Notes:

1. All models can be used for the application which is no higher than the certificated load, including certificated voltage, FLA, LRA or RES.
2. All the ratings have no "Break All Lines" restriction, except the rating "600VAC 50FLA/200LRA" for "XMC0-50 without Z" and "600VAC 63FLA/240LRA" for "XMC0-63 without Z".
3. Contact factory representative for Cd free option.
4. Minimum Switching Load: 110VAC, 1A.
5. Please contact us if you have any other request.


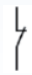

Auxiliary Contacts Block Characteristics

Contact Type:	Rated voltage (VAC)	120	240	480	600
1NO, 1NC, 1NO+1NC,	Breaking current (A)	3.0	1.5	0.75	0.6
	Making current (A)	30	15	7.5	6
2NO, 2NC	Conventional free air thermal current	10	10	10	10
	Minimum Switching Load	24V, 0.1A			


Microswitch Blocks Characteristics

Contact type - SPDT	10A or 11A or 16A, 1/3 HP, 125VAC or 250 VAC 1/2A, 125 VDC; 1/4A, 250 VDC 4A 120 VAC on Lamp Load
Note: Please contact us if you have any other request.	


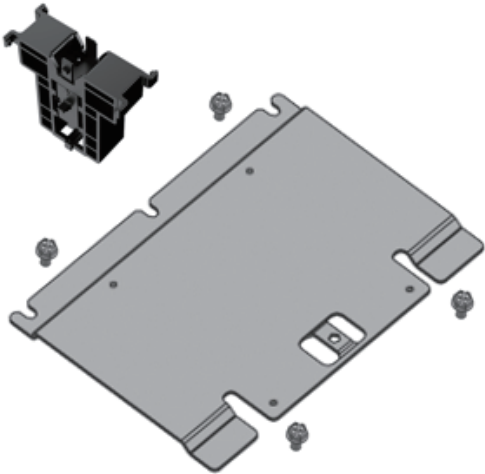
Auxiliary Contact Block

Mounting type		Auxiliary contacts		For use with contactor	Reference
					
Side mounting		1	0	XMC0 3P (25-90FLA) XMC0 4P (25-40FLA)	C03A10PQ
		0	1		C03A01PQ
		1	1		C03A11PQ
		2	0		C03A20PQ
		0	2		C03A02PQ


Microswitch Block

Mounting type		Microswitches		For use with contactor	Reference
		position1	position2		
Side mounting	 position 1 position2	1	0	XMC0 3P (25-90FLA) XMC0 4P (25-40FLA)	C03M10Q
		0	1		C03M01Q
		1	1		C03M11Q

Interlock Block

	Mounting type	For use with contactor	Reference
		XMC0 3P (25-63FLA) XMC0 4P (25-40FLA)	C03J1Q
Side mounting		XMC0 3P (75-90FLA)	C03J2Q

DIN Rail Adapters

	Mounting type	For use with contactor	Reference
Underside mounting		XMC0 1P XMC0 1P+N XMC0 2P	C01D1

AC Coil characteristics @ 25°C (Cold state)

Part number	Nominal Coil Voltage	Nominal Inrushed VA		Nominal Sealed VA		Maximum Pick-up Volts	Drop-out Volts Range
		60Hz	50Hz	60Hz	50Hz		
XMC0-□1/7	24	25	27	6.5	8.5	18	6...15
	120	25	27	7	9	88	25...70
	208/240	27	25	8.5	8.5	176	50...140
	277	25	-	8.5	-	215	60...165
XMC0-□2	24	25	27	6.5	8.5	18	6...15
	120	25	27	7	9	88	25...70
	208/240	27	25	8.5	8.5	176	50...140
	277	25	-	8.5	-	215	60...165
XMC0-□2C	208/240	30	28	7.5	8	176	50...140
XMC0-□3/3A	24	50	55	8	10	18	6...15
	120	60	65	10	13.5	88	25...70
	208/240	50	45	9.5	9.5	176	50...140
	277	50	-	10.5	-	215	60...165
XMC0-□4	24	55	60	9	12	18	6...15
	120	60	65	11	14	88	25...70
	208/240	60	55	12	12.5	176	50...140
	277	60	-	11.5	-	215	60...165
XMC0-503/633	24	90	100	12.5	16.5	18	6...15
	120	90	100	13	17	88	25...70
	208/240	100	90	15	15	176	50...140
	277	90	-	14	-	215	60...165
XMC0-753/903	24	190	210	23.5	30	18	6...15
	120	230	255	30.5	38.5	88	25...70
	208/240	240	230	32	32	176	50...140
	277	210	-	25	-	215	60...165

Notes:

1. $U_s=24VAC$ 50/60Hz ("E" coil) or $120VAC$ 50/60Hz ("F" coil) or $220VAC/50Hz$, $240VAC/60Hz$ ("I" coil) or $277VAC/60Hz$ ("L" coil).
2. Inrushed and Sealed VA are tested at U_s .
3. Please contact us if you have any other request.

DC Coil characteristics @ 25 °C (Cold state)

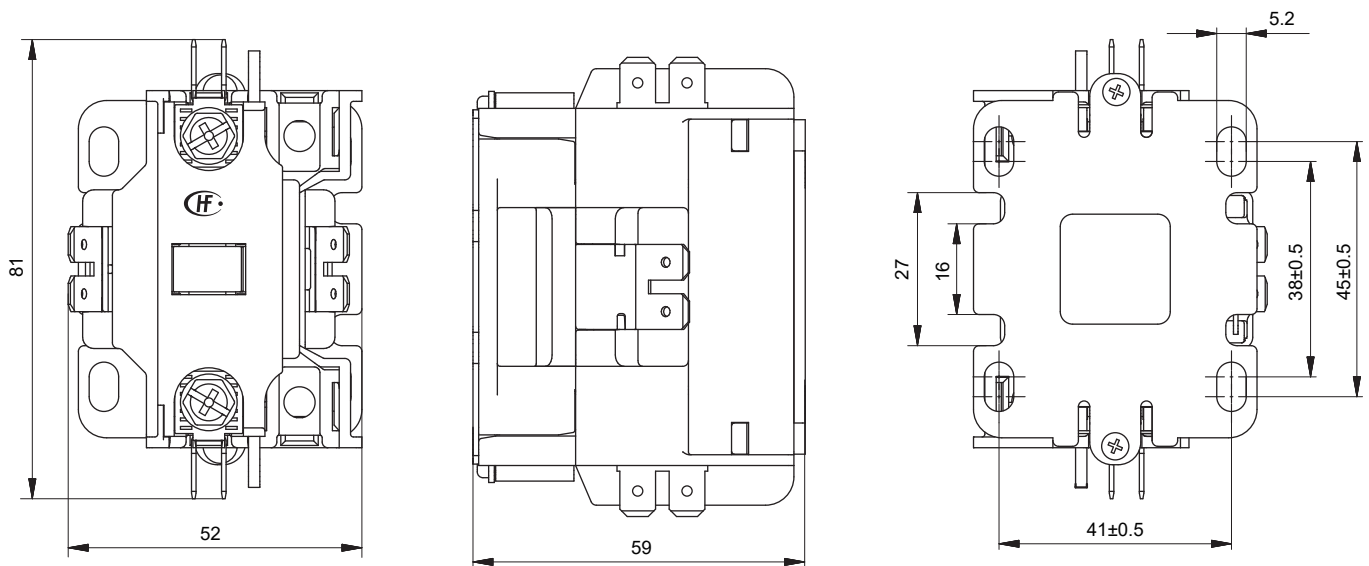
Part number	Nominal Coil Voltage	Nominal Inrushed /Sealed Watts	Maximum Inrushed /Sealed Watts	Maximum Pick-up Volts	Minimum Drop-out Volts	Maximum Pick-up Time Milliseconds	Maximum Drop-out Time Milliseconds
XMC0-□1/7	12	5	6	9.6	1.2	35	10
	24	5	6	19.2	2.4	35	10
	36	5	6	28.8	3.6	35	10
XMC0-□2	12	5	6	9.6	1.2	35	10
	24	5	6	19.2	2.4	35	10
	36	5	6	28.8	3.6	35	10

Notes:

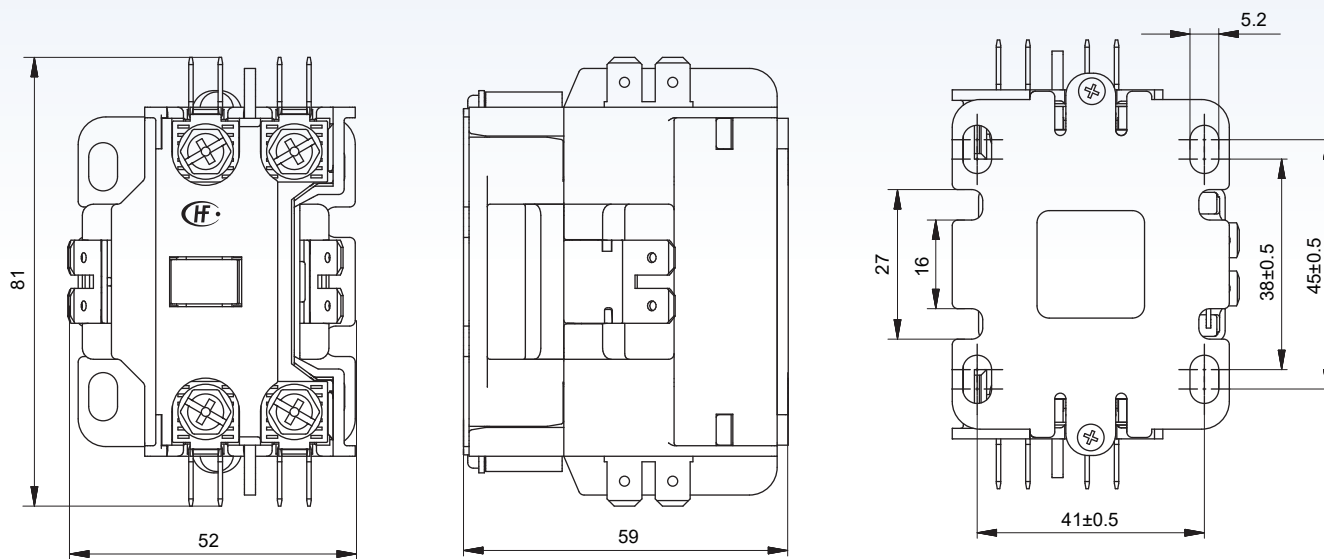
- Inrushed/Sealed VA and Pick-up/Drop-out time are tested at Us.

Outline Dimensions

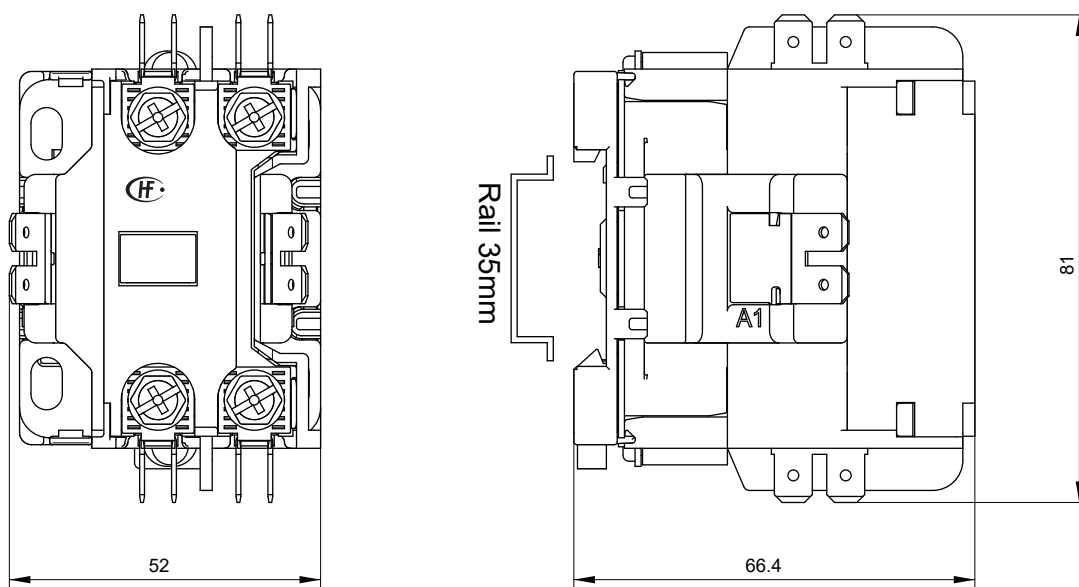
Unit: mm



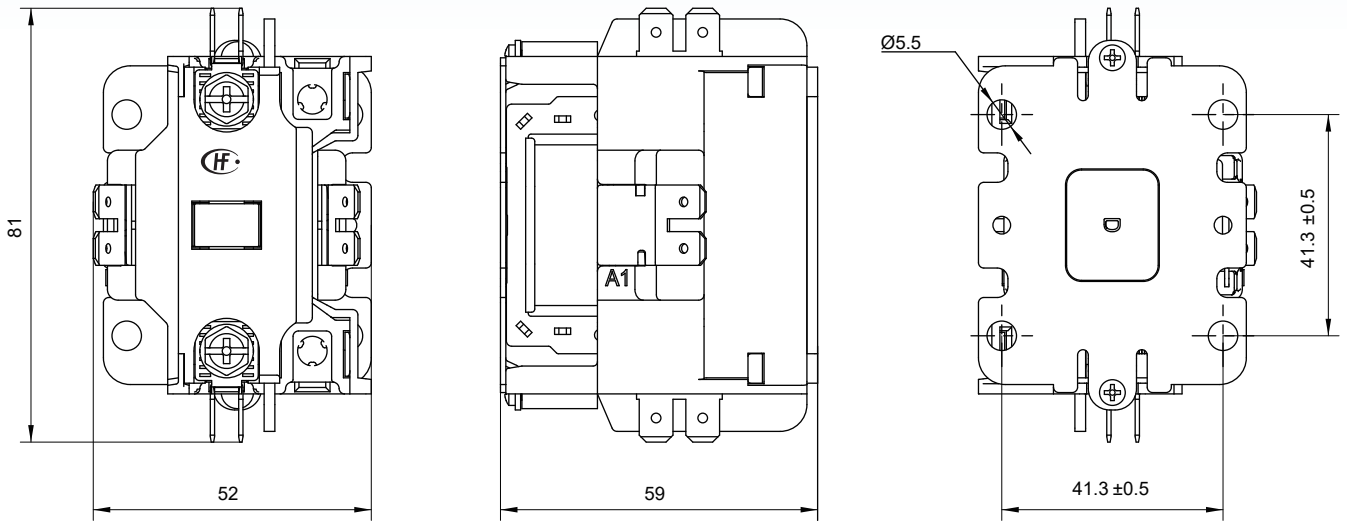
1 pole (metal base, 25-40FLA)



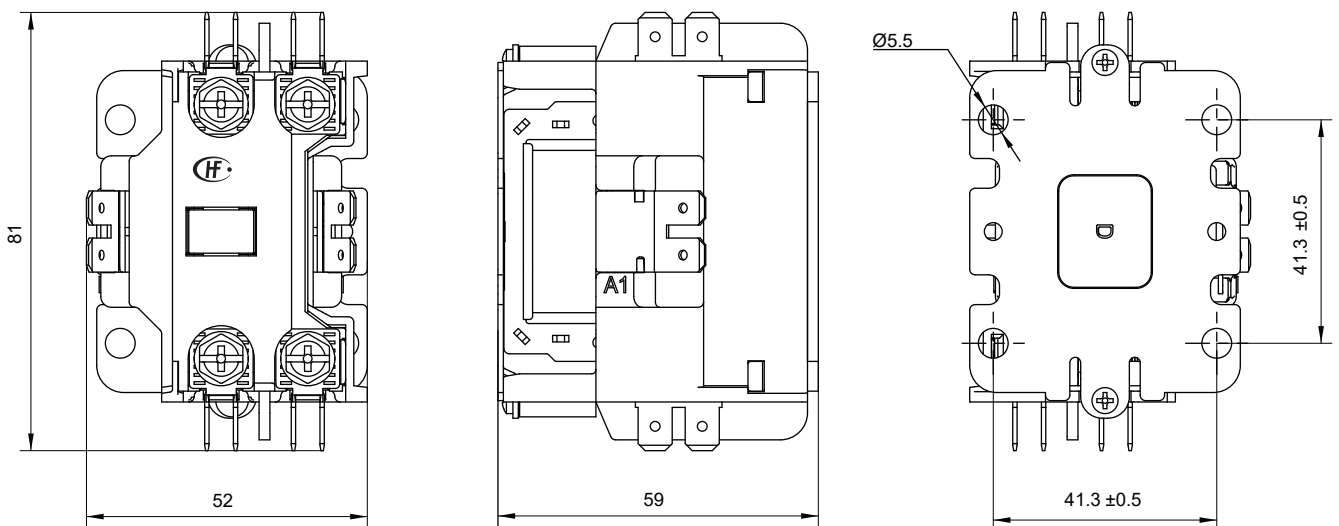
1 pole+shunt (metal base, 25-40FLA)



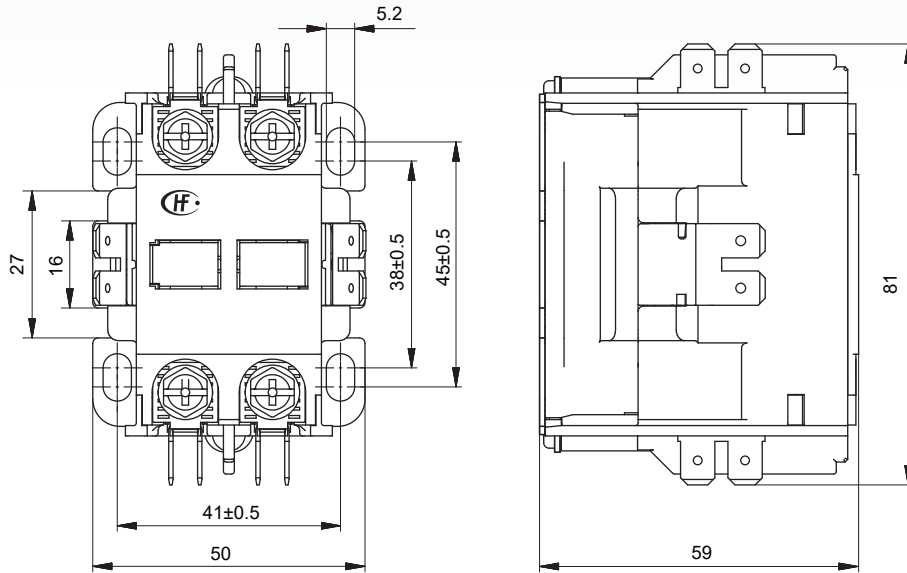
1 pole+shunt (rail mounting, 25-40FLA)



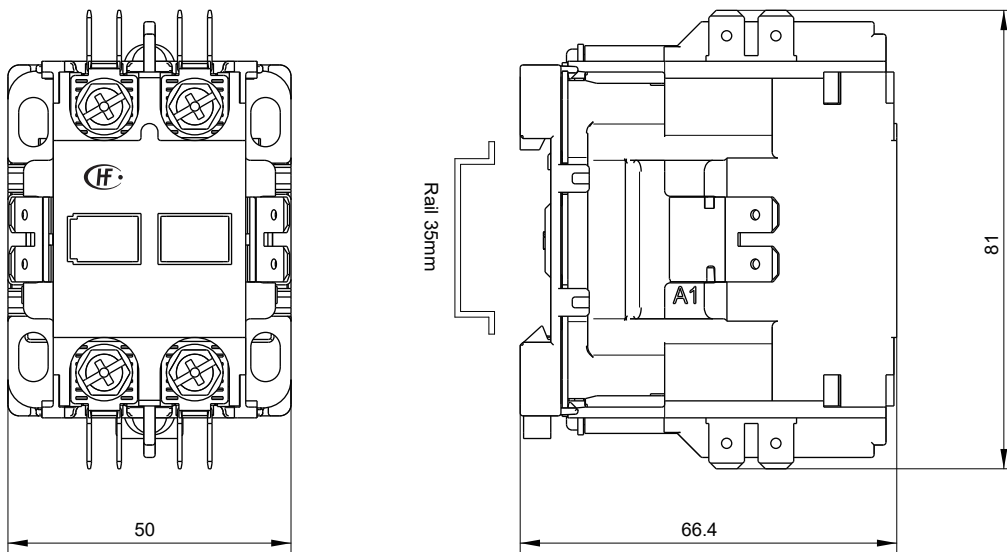
1 pole (metal base, 25-40FLA) - DC Coil, UL approved only



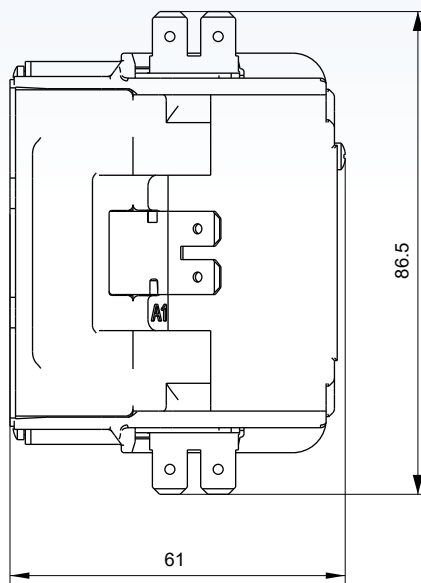
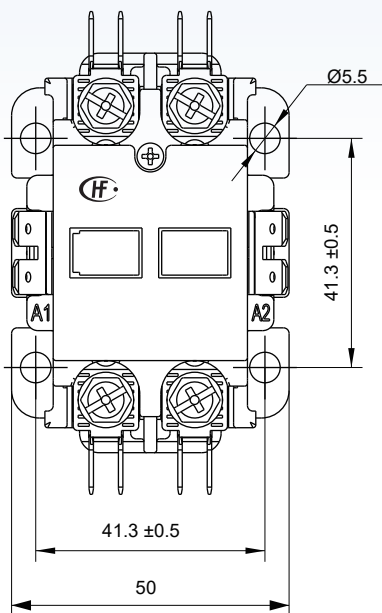
1 pole+shunt (metal base, 25-40FLA) - DC Coil, UL approved only



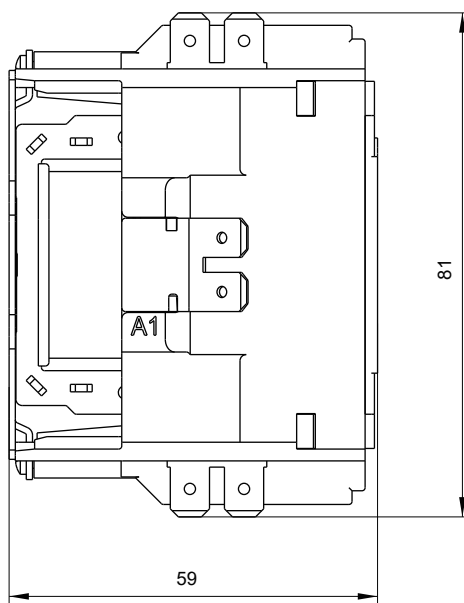
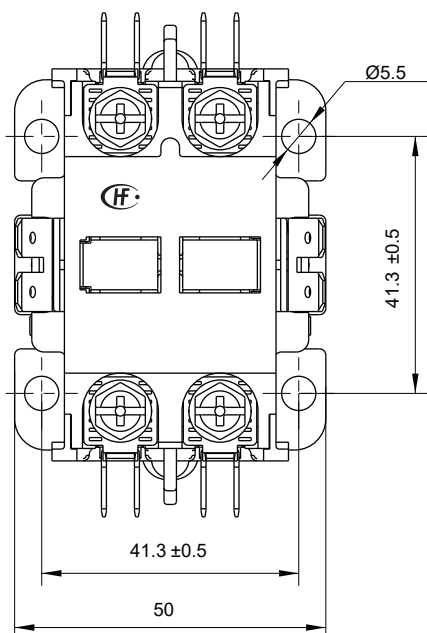
2 poles (metal base, 25-40FLA)



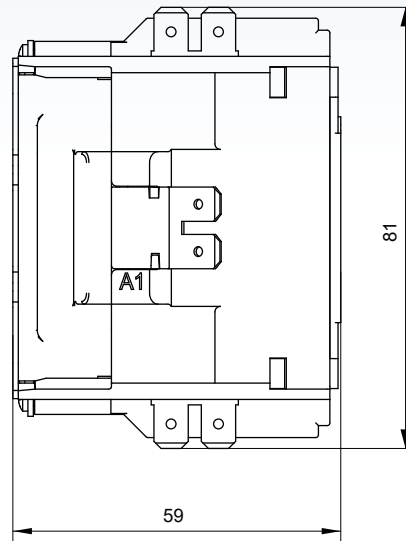
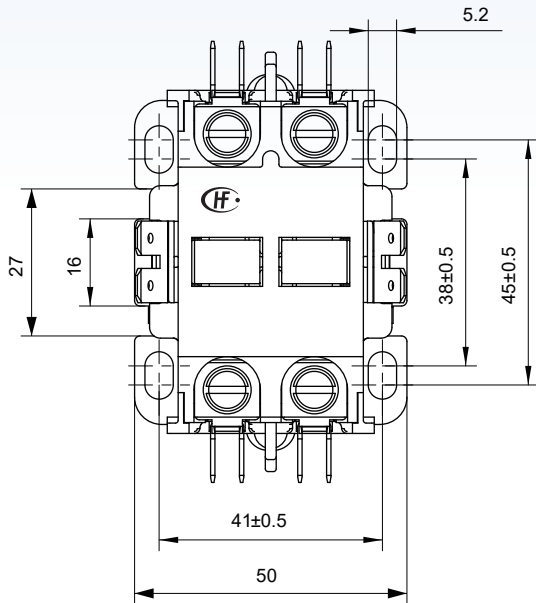
2 poles (rail mounting, 25-40FLA)



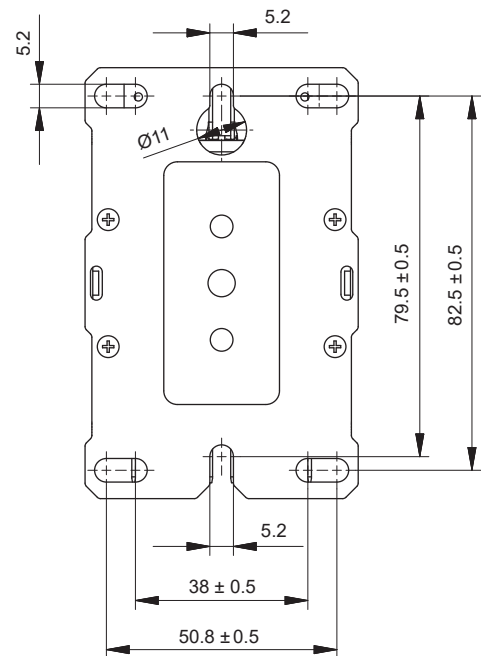
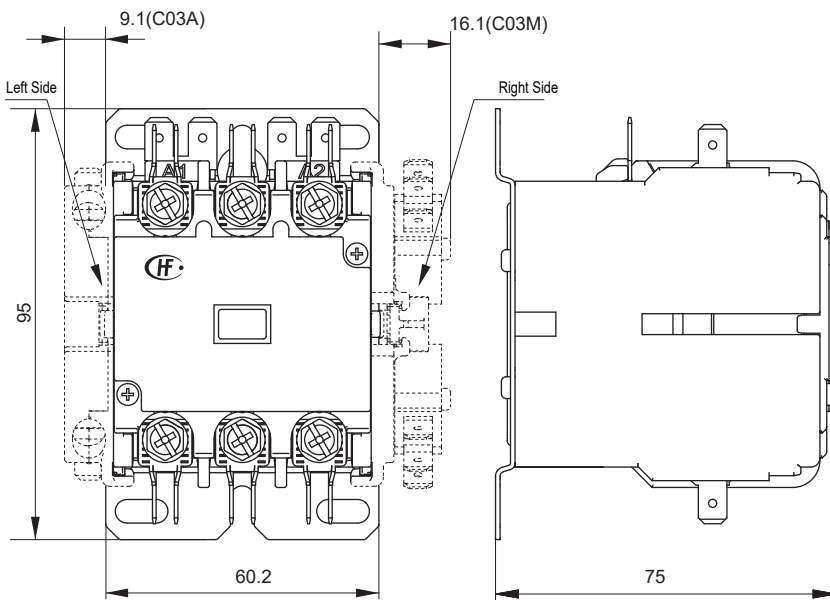
2 poles (metal base, 25-40FLA) - Quantum series (Charging Pile etc.)



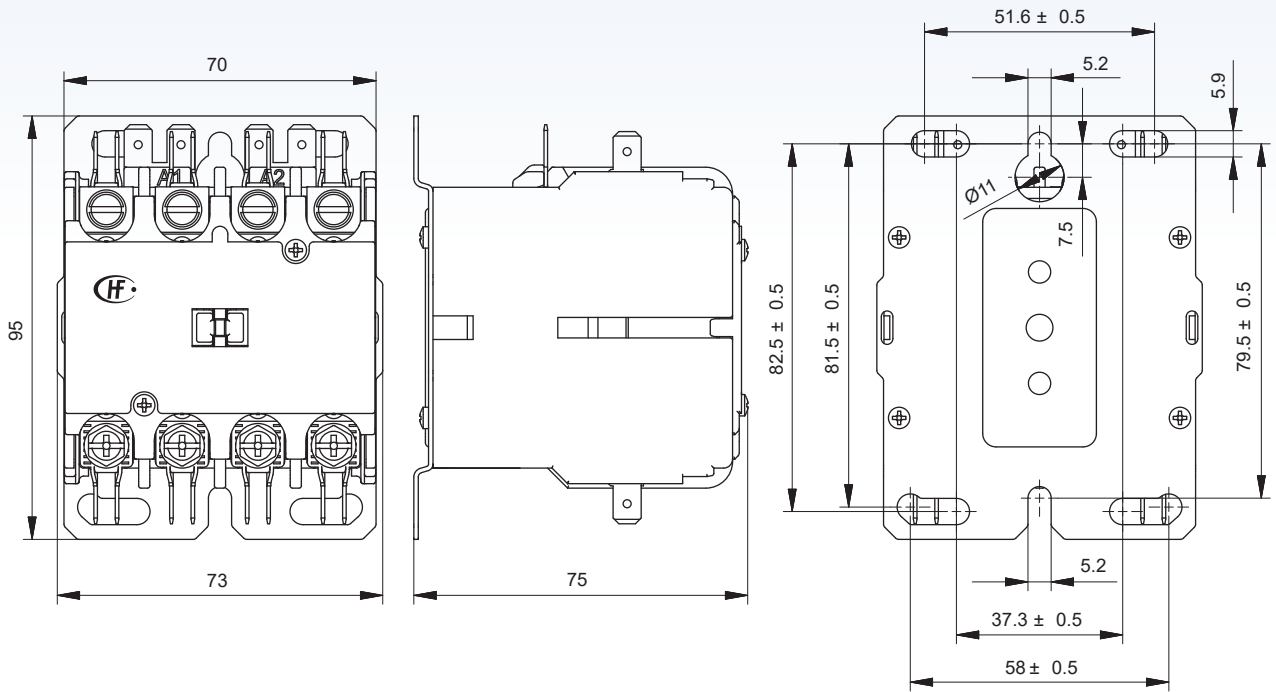
2 poles (metal base, 25-40FLA) – DC Coil, UL approved only



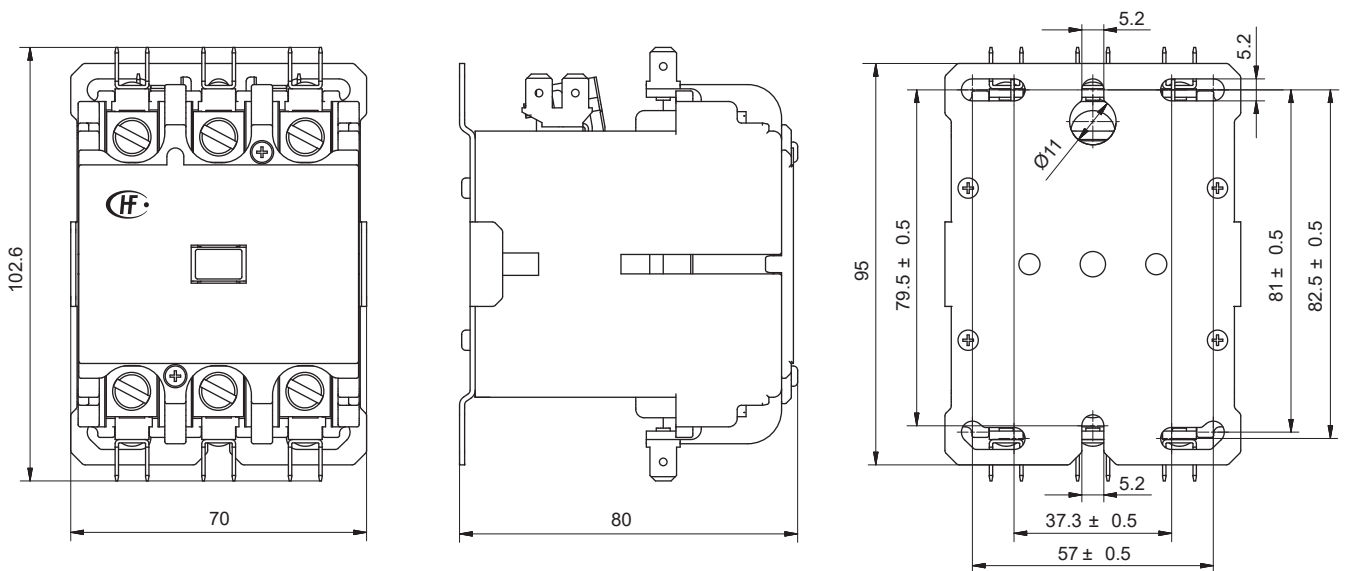
2 poles (metal base, 40FLA) – Normally Close, UL approved only



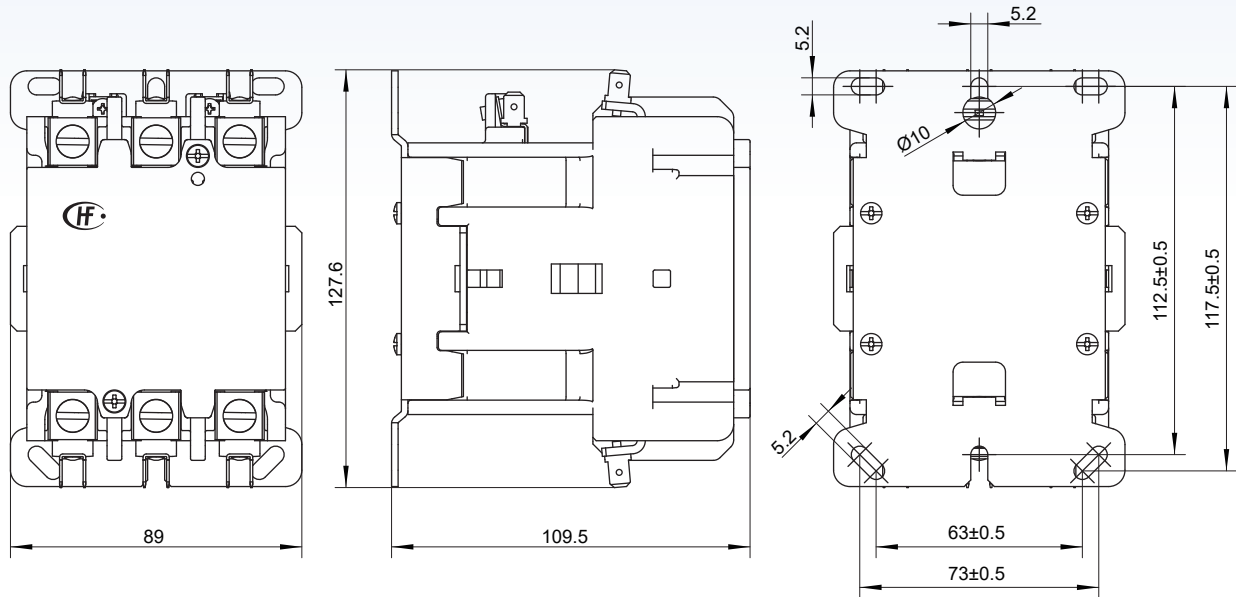
3 poles (metal base, 25-40FLA) - Quantum series



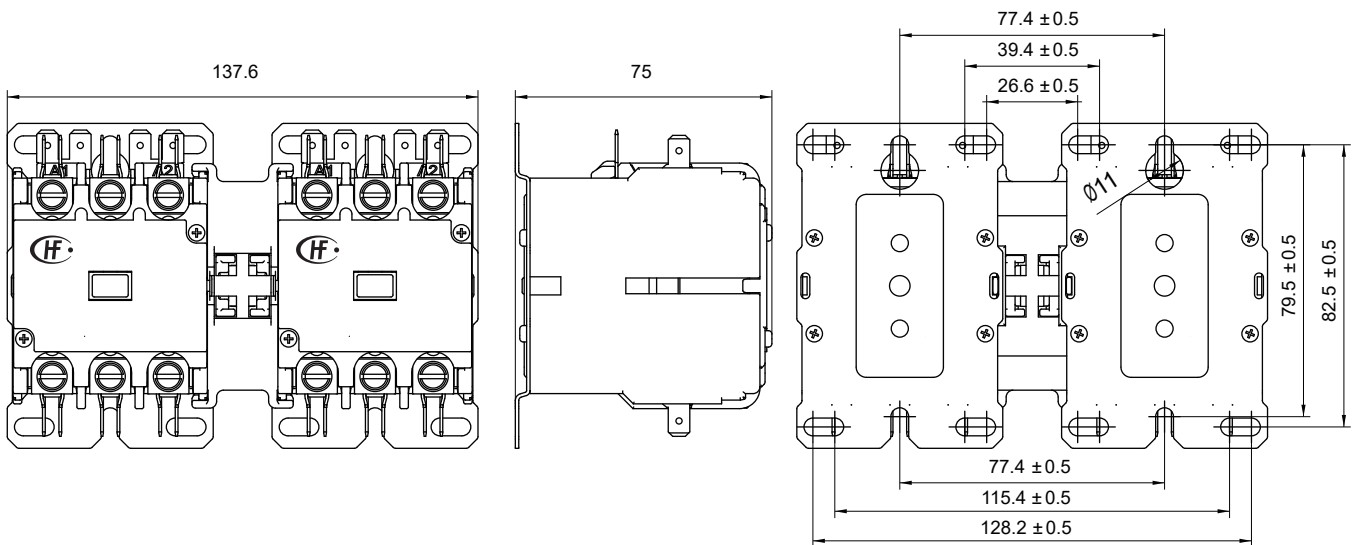
4 poles (metal base, 25-40FLA) - Quantum series, UL approved and TÜV approved only



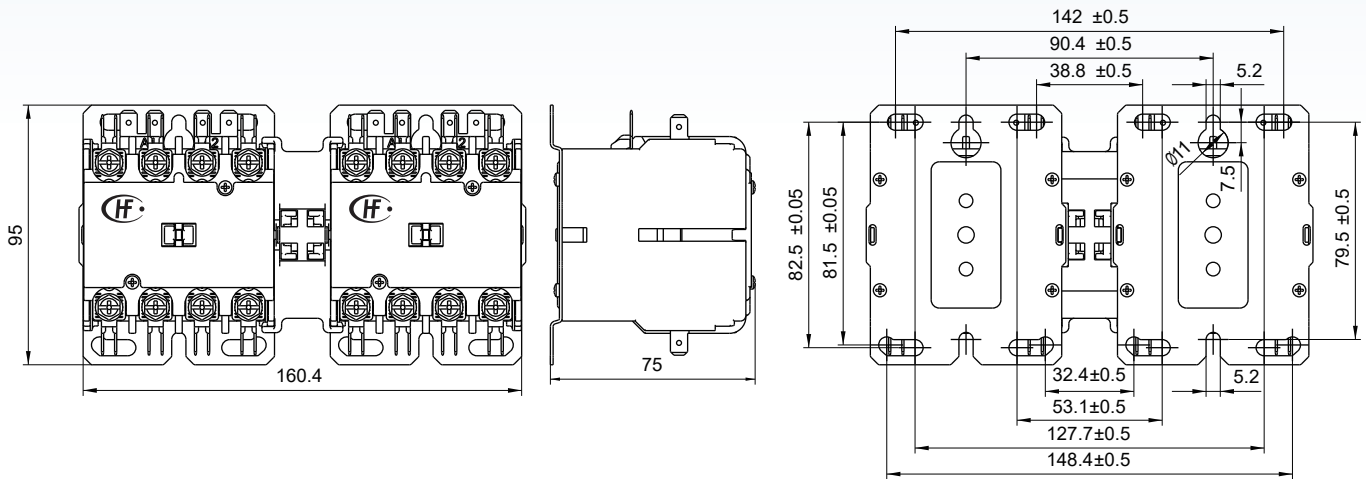
3 poles (metal base, 50-63FLA) - Quantum series



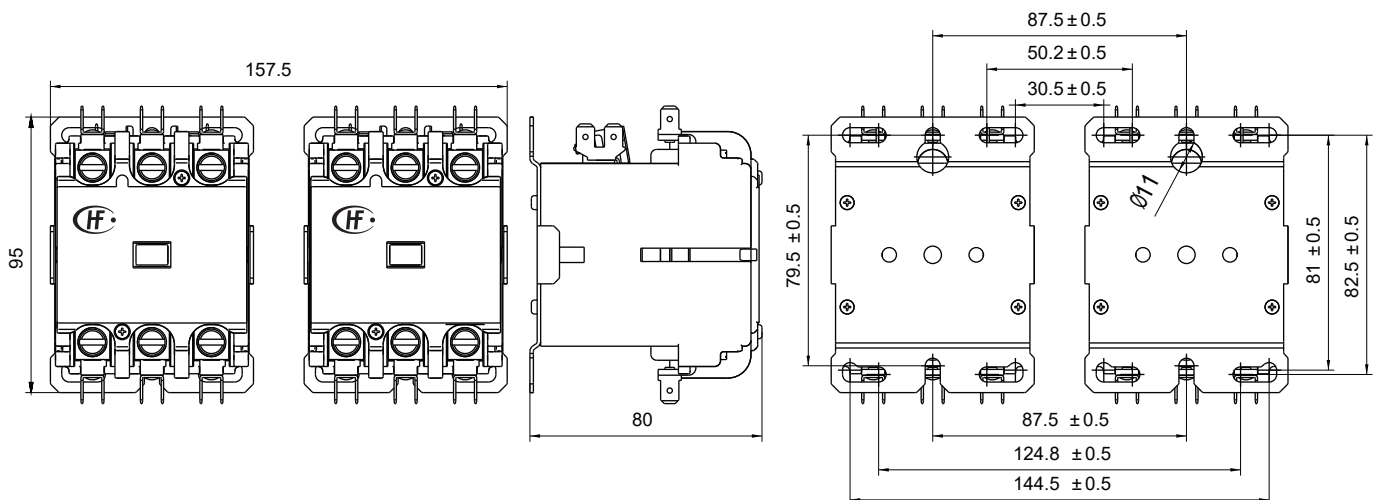
3 poles (metal base, 75-90FLA) - Quantum series



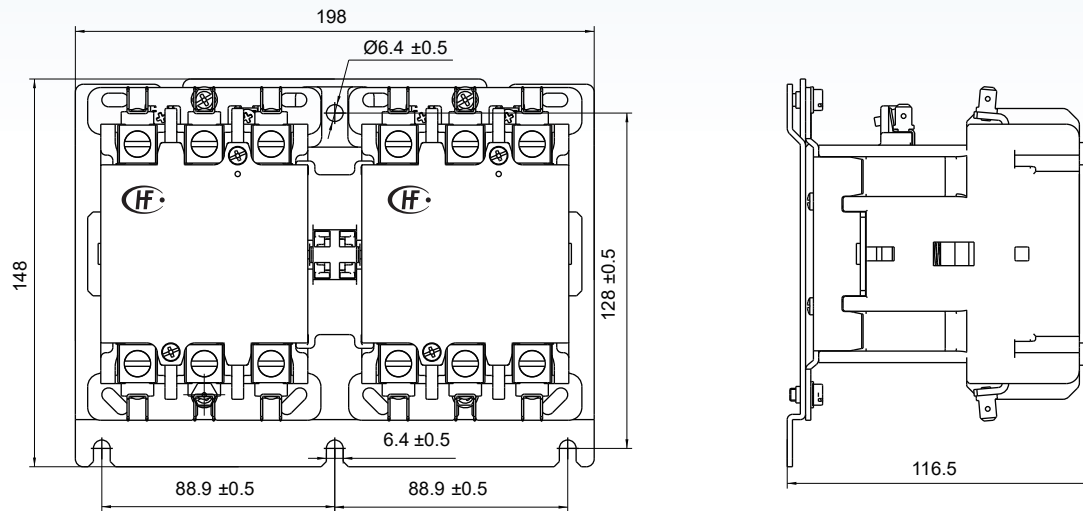
3 poles (metal base, 25-40FLA) - Interlock Blocks series



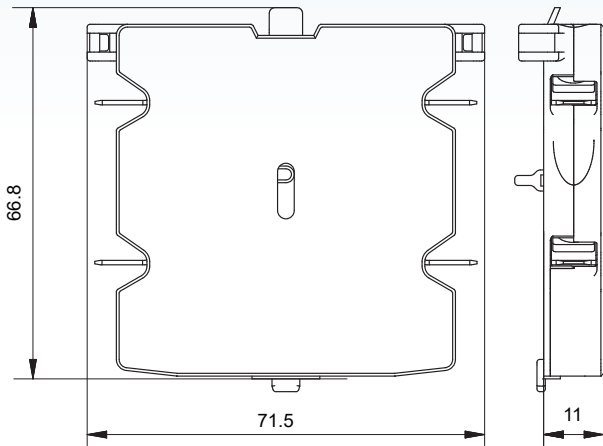
4 poles (metal base, 25-40FLA) - Interlock Blocks series



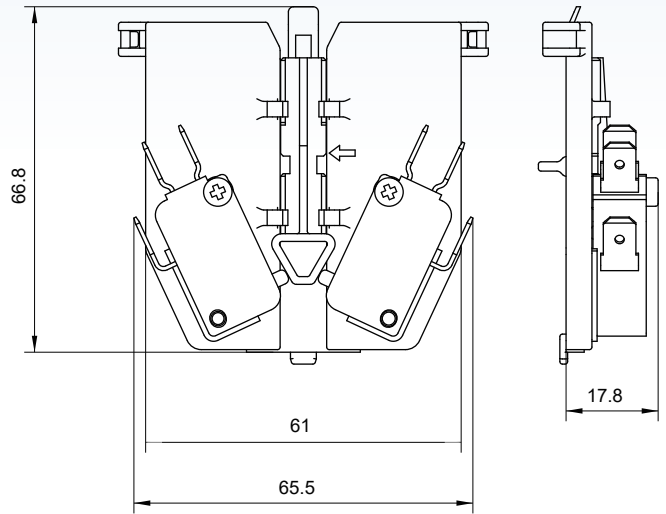
3 poles (metal base, 50-63FLA) - Interlock Blocks series



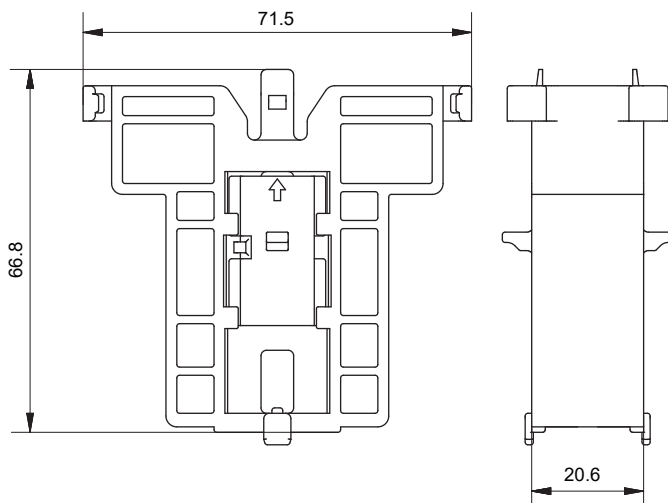
3 poles (metal base, 75-90FLA) - Interlock Blocks series



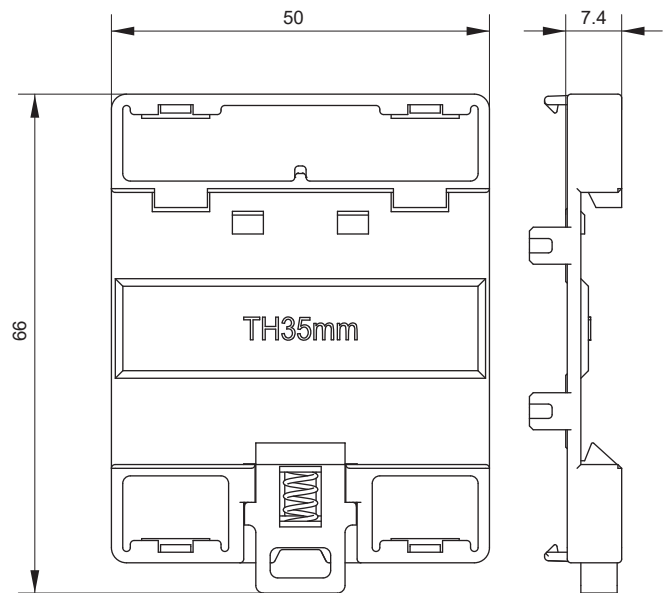
Auxiliary Contact Blocks - Used for 3P/4P Quantum series



Microswitch Blocks - Used for 3P/4P Quantum series



Interlock Blocks - Used for 3P/4P Quantum series

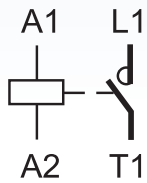


35mm DIN rail adapter - Used for 1P/2P series

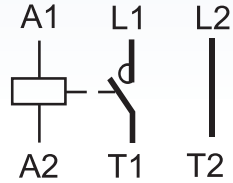
Notes: The tolerance for mounting holes: ± 0.5 ; for other external dimensions: ± 1.5 , unless otherwise specified.

Wiring Diagram

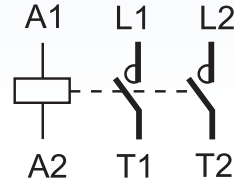
Contactors:



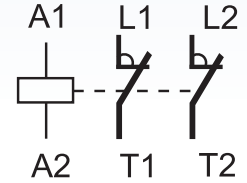
XMC0-□7



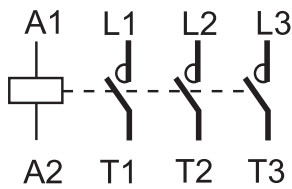
XMC0-□1



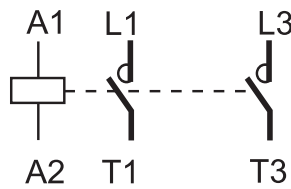
XMC0-□2



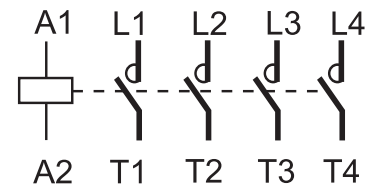
XMC0-□2C



XMC0-□3

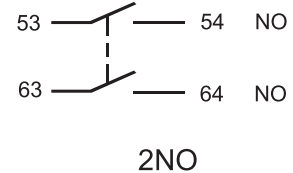
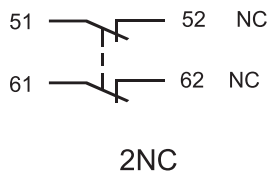
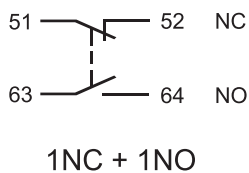
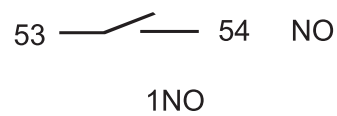
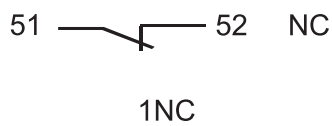


XMC0-□3A



XMC0-□4

Auxiliary Contact Blocks:

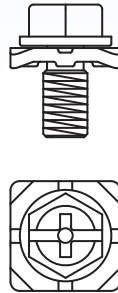


Main Contact Terminals

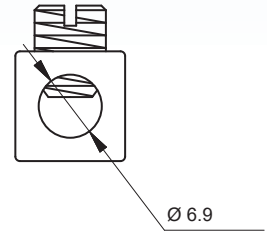
Unit: mm



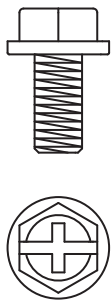
C type on 25-40A FLA
#10-32 combination
phillips, slotted &
5/16 hex head with
#8 washer



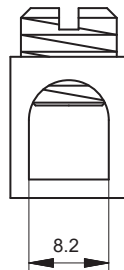
Special C type on 25-40A FLA
#10-32 sems screw
with pressure plate
(Suffix "113")



D type on 25-40A FLA
#14-4 AWG Cu/Al



C type on 50-90A FLA
M6 combination
phillips, slotted &
3/8 hex head with
#12 washer



D type on 50-63A FLA
#14-2 AWG Cu/Al



D type on 75-90A FLA
#8-1/0 AWG Cu only

Remarks:

- 1) Torque for Screws 25 lb-in /Lugs 25 lb-in for 25-40FLA types;
Torque for Screws 45 lb-in /Lugs 50 lb-in for 50-63FLA types;
Torque for Screws 50 lb-in /Lugs 60 lb-in for 75-90FLA types;
Torque for Screws 8 lb-in for Auxiliary Contact Blocks;
Torque for Coil Screws 8 lb-in for 3/4-pole 25-40FLA types and 12 lb-in for 50-90FLA types;
- 2) For QC connection ,the female connectors should meet IEC61210 and ensure the reliable connection between female connectors and QC terminals.
- 3) Please contact us for any application out of specification.



Xiamen Hongfa Electroacoustic Co. Ltd

Add: No.560-578, Donglin Rd., Jimei North Ind. Dist., Xiamen, China

TEL: +86-592-6106688

FAX: +86-592-6106678

E-mail: marketing@hongfa.com

Marketing & Sales Network

Hongfa Europe GmbH

ADD: Marie-Curie-Ring 26, D-63477
Maintal, Germany

TEL: +49-6181-4306-0

E-mail: info@hongfa-europe.com

Hongfa America, Inc.

ADD: 20381 Hermans Circle, Lake
Forest, CA92630, USA

TEL: +1-714-669-2888

E-mail: sales@hongfaamerica.com

KG Technologies, Inc.

ADD: 6028 Stat Farm Drive
Rohnert Park, CA 94928, USA

TEL: +1-888-513-1874

E-mail: info@kgtechnologies.com

Hongfa Electroacoustic (Hongkong) Co., Ltd.

ADD: Unit A6, 25/F., NCB Innovation Centre,
888 Lai Chi Kok Road, Kowloon, H.K.

TEL: +852-2947-7889

E-mail: hongkong@hongfa.com

Shanghai Hongfa Electroacoustic Co., Ltd.

ADD: NO.51.341, Jiuxin Rd., Jiuting
Town, Songjiang Dist., Shanghai

TEL: +86-21-37693111

E-mail: shanghai@hongfa.com

Beijing Hongfa Electroacoustic Relay Co., Ltd.

ADD: 111Bldg, Phase IV Westside of Lian
-dong U Valley, Tongzhou Dist., Beijing

TEL: +86-10-56495556

E-mail: beijing@hongfa.com

Sichuan Hongfa Relay Co., Ltd.

ADD: 12F, Hongfa Building, No.6 Wuxing 4th
Road, Wuhou District, Chengdu

TEL: +86-28-86627550

E-mail: sichuan@hongfa.com

Hongfa India Branch

TEL: +86-592-6196714

E-mail: power-sa@hongfa.com

TEL: +91-9971187792

E-mail: rohit@hongfa.com

Hongfa Philippine Branch

TEL: +63-9177189352

E-mail: nia-videna@hongfa.com

Hongfa Korea Branch

ADD: Sanggadong 203, 24, Cheonghak-ro
68beon-gil, Byeollae-myeon,
Namyangju-si, Gyeonggi-do,
Republic of Korea

TEL: +82-10-8704-4706

E-mail: khlee@hongfa.com

Hongfa Brazil Branch

Non-automotive relay project

TEL: +86-592-6196714

E-mail: southamerica@hongfa.com

Automotive relay project

TEL: +86-592-6196751

E-mail: auto-asia3@hongfa.com

Hongfa Turkey Branch

TEL: +90-535-0221881

E-mail: info-turkey@hongfa.com

The relevant information on the products contained is for reference only.
For details, please consult our business staff.

Headquarter's Marketing & Sales Center
ADD: No.566-578, Donglin Rd., Jimei North Ind. Dist., Xiamen
E-mail: marketing@hongfa.com

SALES SERVICE HOTLINE
400-600-1502



HONGFA GROUP



HONGFA ESC

October 2025