

Product datasheet



Specifications



DP Contactor, XMC0-402, 2P (2NO), AC Coil

Main

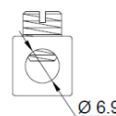
Product Series	XMC0												
Product or Component Type	Definite Purpose Contactors												
Device Short Name	XMC0-402												
Contactor Application	HVAC, refrigeration, heating, data processing, welding, elevators, hoist & cranes, pool, commercial spa, and food service equipment industries, etc.												
Poles Description	2P												
Rated Operational Voltage [Ue]	Power circuit: ≤ 600 V AC 50/60Hz												
Full Load Ampere [FLA]	40 A												
Locked Rotor Ampere [LRA]	240 A @ 240/277 V AC; 200 A @ 480 V AC; 160 A @ 600 V AC												
Resistive Ampere [RES]	50 A												
Control Circuit Voltage [Us]	<table border="1"> <thead> <tr> <th>Code</th> <th>Voltage</th> </tr> </thead> <tbody> <tr> <td>E</td> <td>24 V AC 50/60Hz</td> </tr> <tr> <td>F</td> <td>110-120 V AC 50/60Hz</td> </tr> <tr> <td>I</td> <td>208-220 V AC 50Hz 208-240 V AC 60Hz</td> </tr> <tr> <td>L</td> <td>277 V AC 60Hz</td> </tr> <tr> <td>N</td> <td>380-415 V AC 50Hz 440-480 V AC 60Hz</td> </tr> </tbody> </table>	Code	Voltage	E	24 V AC 50/60Hz	F	110-120 V AC 50/60Hz	I	208-220 V AC 50Hz 208-240 V AC 60Hz	L	277 V AC 60Hz	N	380-415 V AC 50Hz 440-480 V AC 60Hz
Code	Voltage												
E	24 V AC 50/60Hz												
F	110-120 V AC 50/60Hz												
I	208-220 V AC 50Hz 208-240 V AC 60Hz												
L	277 V AC 60Hz												
N	380-415 V AC 50Hz 440-480 V AC 60Hz												

Main Contact Terminals

C type: Slotted & Hex head washer w/ quick connect
D type: Box Lug w/ quick connect
E type: Box lug w/ quick connect (Line side)
 Slotted & Hex head washer w/ quick connect (Load side)
F type: Slotted & Hex head washer w/ quick connect (Line side)
 Box lug w/ quick connect (Load side)

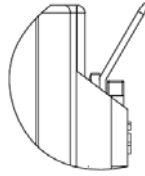


C type on 25-40A FLA
#10-32 combination
phillips, slotted & 5/16 hex head
with #8 washer

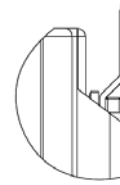


D type on 25-40A FLA
#14-4 AWG Cu/Al

Coil Terminals



Normal type terminal



Vertical type terminal

Complementary

Maximum Horse Power Rating	3 hp 240/277 V AC, 1phase
Pole Contact Composition	2 NO
Pollution Degree	3
Control Circuit Voltage Limits @ 25°C (Cold state)	0.8...1.1 Us: operational AC 50/60 Hz 0.2...0.75 Us: drop-out AC 50/60 Hz
Nominal Inrushed VA @ 25°C (Cold state)	E: 27 VA @ 24V 50 Hz, 25 VA @ 24V 60Hz F: 27 VA @ 120V 50 Hz, 25 VA @ 120V 60Hz I: 25 VA @ 220V 50 Hz, 27 VA @ 240V 60Hz L: 25 VA @ 277V 60Hz N: 27 VA @ 415V 50 Hz, 35 VA @ 480V 60Hz
Nominal Sealed VA @ 25°C (Cold state)	E: 8.5 VA @ 24V 50 Hz, 6.5 VA @ 24V 60Hz F: 9 VA @ 120V 50 Hz, 7 VA @ 120V 60Hz I: 8.5 VA @ 220V 50 Hz, 8.5 VA @ 240V 60Hz L: 8.5 VA @ 277V 60Hz N: 11 VA @ 415V 50 Hz, 12 VA @ 480V 60Hz
Maximum Operating Rate	Electrical: 360 cycs/h Mechanical: 3600 cycs/h
Tightening Torque	Power circuit: 25 lb-in - on screw terminals Power circuit: 25 lb-in - on box lug terminals
Auxiliary Contact Composition	N/A
Mounting Support	Screw 35mm DIN Rail (should be added a DIN rail adapter, suffix "-123" after model name)
A2L Application	Suffix w/ "W" : Flame Arrest-protected Components for Use in Refrigeration and Air-conditioning Equipment Employing A2L Refrigerants.
Minimum Switching Load	110 V AC, 1A

Environment

Standards	UL 60947-4-1, GB/T 14048.4, IEC 60947-4-1, EN 60947-4-1
Product Certifications	UL, CCC, TÜV
Permissible Ambient Air Temperature Around the Device	-40 °C...70 °C (-40 °F...158 °F) for normal operating -40 °C...70 °C (-40 °F...158 °F) for storage
Height	81 mm
Width	50 mm
Depth	59 mm
Net Weight	0.22 kg

Packing Units

Unit Type of Package (bulk package)	1 carton
Number of Units in Package	50 pcs
Package Height	17.5 cm
Package Width	31 cm
Package Length	46 cm
Package Weight	11.9 kg

Offer Sustainability

REACH Regulation	Conforming
EU RoHS Directive	Conforming
Mercury Free	Yes
China RoHS Regulation	Conforming
RoHS Exemption Information	Yes

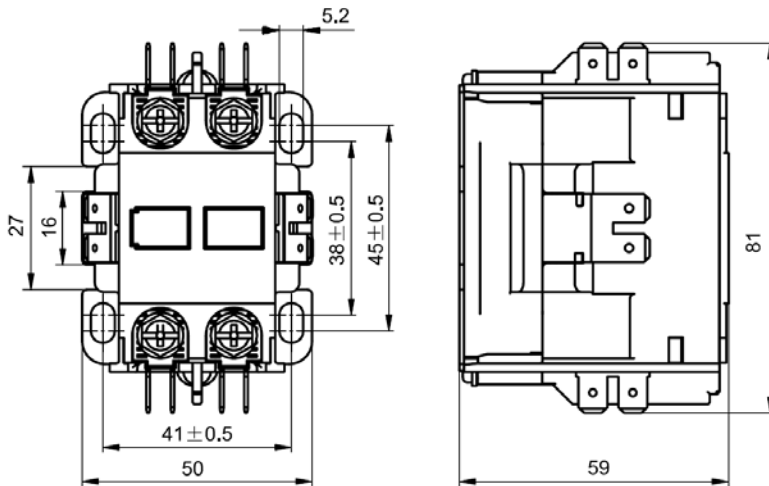
Contractual Warranty

Warranty	18 months
----------	-----------

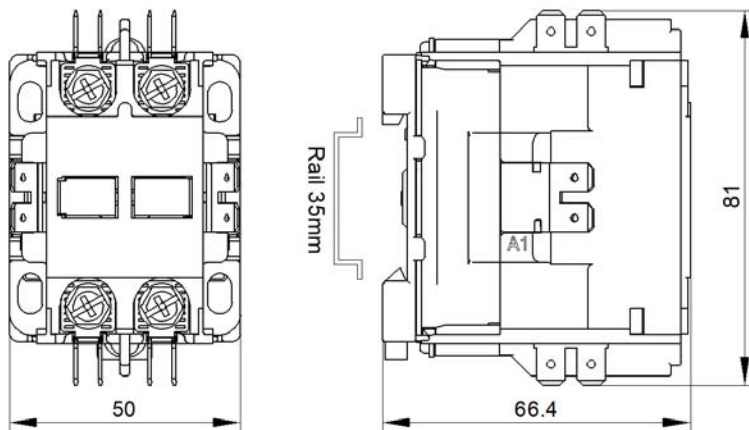
Dimensions

XMC0 2P (2NO)

AC Contactor:



Rail mounting contactor:



Note: The unit is mm. The tolerance for mounting holes: ± 0.5 ; for other external dimensions: ± 1.5 , unless otherwise specified.

Wiring Diagram

