

Specifications



DP Contactor, XMC0-322,
2P (2NO), AC Coil
Quantum series

Main

Product Series	XMCO												
Product or Component Type	Definite Purpose Contactors												
Device Short Name	XMC0-322												
Contactor Application	HVAC, refrigeration, heating, data processing, welding, elevators, hoist & cranes, pool, commercial spa, and food service equipment industries, etc.												
Poles Description	2P												
Rated Operational Voltage [Ue]	Power circuit: ≤ 600 V AC 50/60Hz												
Full Load Ampere [FLA]	32 A												
Locked Rotor Ampere [LRA]	180 A @ 240/277 V AC; 150 A @ 480 V AC; 120 A @ 600 V AC												
Resistive Ampere [RES]	40 A												
Control Circuit Voltage [Us]	<table border="1"> <thead> <tr> <th>Code</th> <th>Voltage</th> </tr> </thead> <tbody> <tr> <td>E</td> <td>24 V AC 50/60Hz</td> </tr> <tr> <td>F</td> <td>110-120 V AC 50/60Hz</td> </tr> <tr> <td>I</td> <td>208-220 V AC 50Hz 208-240 V AC 60Hz</td> </tr> <tr> <td>L</td> <td>277 V AC 60Hz</td> </tr> <tr> <td>N</td> <td>380-415 V AC 50Hz 440-480 V AC 60Hz</td> </tr> </tbody> </table>	Code	Voltage	E	24 V AC 50/60Hz	F	110-120 V AC 50/60Hz	I	208-220 V AC 50Hz 208-240 V AC 60Hz	L	277 V AC 60Hz	N	380-415 V AC 50Hz 440-480 V AC 60Hz
Code	Voltage												
E	24 V AC 50/60Hz												
F	110-120 V AC 50/60Hz												
I	208-220 V AC 50Hz 208-240 V AC 60Hz												
L	277 V AC 60Hz												
N	380-415 V AC 50Hz 440-480 V AC 60Hz												

Main Contact Terminals

C type: Slotted & Hex head washer w/ quick connect
D type: Box Lug w/ quick connect
E type: Box lug w/ quick connect (Line side)
 Slotted & Hex head washer w/ quick connect (Load side)
F type: Slotted & Hex head washer w/ quick connect (Line side)
 Box lug w/ quick connect (Load side)



C type on 25-40A FLA
#10-32 combination
Phillips, slotted & 5/16 hex head
with #8 washer



D type on 25-40A FLA
#14-4 AWG Cu/Al

Complementary

Maximum Horse Power Rating	3 hp 240/277 V AC, 1phase
Pole Contact Composition	2 NO
Pollution Degree	3
Control Circuit Voltage Limits @ 25°C (Cold state)	0.8...1.1 Us: operational AC 50/60 Hz 0.2...0.75 Us: drop-out AC 50/60 Hz
Nominal Inrushed VA @ 25°C (Cold state)	E: 27 VA @ 24V 50 Hz, 25 VA @ 24V 60Hz F: 27 VA @ 120V 50 Hz, 25 VA @ 120V 60Hz I: 25 VA @ 220V 50 Hz, 27 VA @ 240V 60Hz L: 25 VA @ 277V 60Hz N: 27 VA @ 415V 50 Hz, 35 VA @ 480V 60Hz
Nominal Sealed VA @ 25°C (Cold state)	E: 8.5 VA @ 24V 50 Hz, 6.5 VA @ 24V 60Hz F: 9 VA @ 120V 50 Hz, 7 VA @ 120V 60Hz I: 8.5 VA @ 220V 50 Hz, 8.5 VA @ 240V 60Hz L: 8.5 VA @ 277V 60Hz N: 11 VA @ 415V 50 Hz, 12 VA @ 480V 60Hz
Maximum Operating Rate	Electrical: 360 cycs/h Mechanical: 3600 cycs/h
Tightening Torque	Power circuit: 25 lb-in - on screw terminals Power circuit: 25 lb-in - on box lug terminals
Auxiliary Contact Composition	N/A
Mounting Support	Screw 35mm DIN Rail (should be added a DIN rail adapter, suffix "-123" after model name)
Minimum Switching Load	110 V AC, 1A

Environment

Standards	UL 60947-4-1, GB/T 14048.4, IEC 60947-4-1, EN 60947-4-1
Product Certifications	UL, CCC, TÜV
Permissible Ambient Air Temperature Around the Device	-40 °C...70 °C (-40 °F...158 °F) for normal operating -40 °C...70 °C (-40 °F...158 °F) for storage
Height	87 mm
Width	50 mm
Depth	61 mm
Net Weight	0.24 kg

Packing Units

Unit Type of Package (bulk package)	1 carton
Number of Units in Package	50 pcs
Package Height	17.5 cm
Package Width	31.2 cm
Package Length	49.5 cm

Package Weight	12.7 kg
----------------	---------

Offer Sustainability

REACH Regulation	Conforming
------------------	------------

EU RoHS Directive	Conforming
-------------------	------------

Mercury Free	Yes
--------------	-----

China RoHS Regulation	Conforming
-----------------------	------------

RoHS Exemption Information	Yes
----------------------------	-----

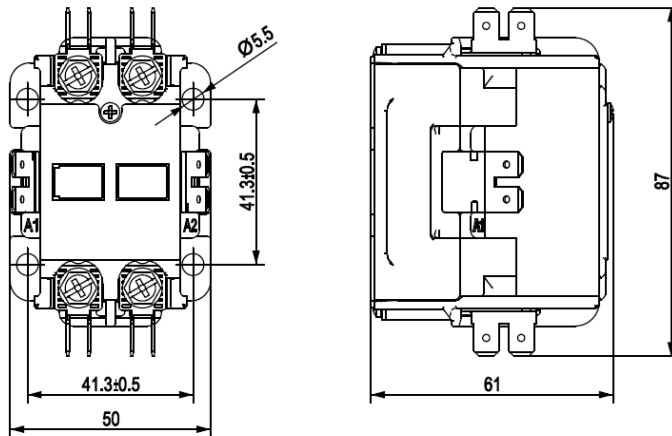
Contractual Warranty

Warranty	18 months
----------	-----------

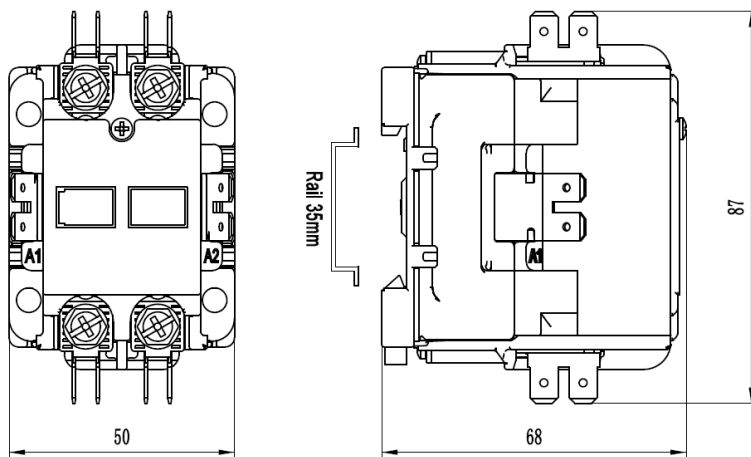
Dimensions

XMC0 2P (2NO), Quantum series

AC Contactor:



Rail mounting contactor:



Note: The unit is mm. The tolerance for mounting holes: ± 0.5 ; for other external dimensions: ± 1.5 , unless otherwise specified.

Wiring Diagram

