

Circuit Protection at its best



Branch Protection-UL489
1, 2, or 3 Poles
Din Rail Mount
5 to 60 Amps

About Hongfa

Hongfa (Hongfa stock code: SH600885) is ranked 4th globally in relay manufacturing with an annual production capability of 1 billion units. Hongfa has maintained the largest position in China for two decades in relay research, manufacturing, and exportation. Hongfa's enterprise spirit "Persevere for Progress, Strive for Excellence" with the operational philosophy "Focusing on the market; Winning through quality" drives our continuous growth. Utilizing our enterprise spirit and operational philosophy, Hongfa became a first-class relay research and manufacturing company with focused 21 subsidiaries located in 6 manufacturing campuses and multiple distribution centers with floor space of more than 330 thousand square meters (~3.5 million square feet).

Hongfa's core product is electromechanical relays. Hongfa expanded our product portfolio with products including low-voltage devices, high-precision components, and automation equipment. We export relays to more than 100 countries and have local sales, customer service, and application engineering in many countries. We service customers in the market segments of industry, energy, transportation, communication, household appliances, medical, national defense, etc.

Hongfa "Strives for Excellence" by embracing our technology. Hongfa focuses on product development while adopting the leading technology in this industry. Hongfa has a national level R&D center with the largest testing laboratory in this industry. Our fully equipped facility maintains the most advanced technology. Hongfa developed the first Post-doctoral Research Program. Our engineers and scientist push the relay industry and they influence many professional and national standards.

Hongfa continued its spirit "Strive for Excellence" by leveraging its technology to expand our product portfolio. This series utilize our expertise in Intelligent Air Circuit Breakers, Molded Case Circuit Breakers, and Miniature Circuit Breakers to design a miniature circuit breaker with DIN Mount Flexibility while maintaining the UL 489 requirements.

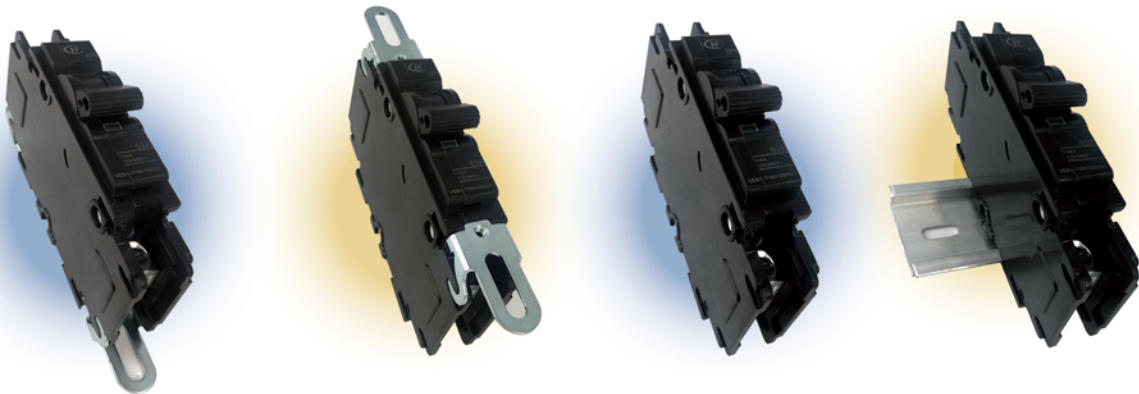
UEB1-70 series Circuit Breaker ❖❖❖

Features:

- Mechanical Switch to manually disconnect the circuit.
- ON/OFF Display Indicator (INDI-ON).
- Common trip for all poles.
- Surface-Flush Mount, and DIN Rail Mount.
- Operate in all mounting positions.
- I/O Lug standard Termination.
- Box Lug with QC Termination option available.

Key Performance Data ❖❖❖

1	Approval	UL489
2	Number of poles	1P, 2P, 3P
3	Mounting Type	DIN-rail, Surface-Flush
4	Wiring connection terminal	Box lug; QC terminal
5	Rated parameters	a. Rated voltage:120/240Vac, 240Vac
		b. Rated current:5,10,15, 20, 25, 30, 35, 40, 45, 50, 60A
		c. Rated frequency:50/60Hz
		d. Rated Insulated Voltage:690Vac
6	Short Circuit Rating	10kA
7	Application life	10000 cycles
	a. Mechanical	10000 cycles
	b. Electrical	6000cycles
8	Operation Temperature	-10°C ~ 60°C (14°F ~ 140°F)
9	Storage Temperature	-40°C ~ +70°C (-40°F ~ 158°F)
10	Relative Humidity	90-95%RH (below 40°C/104°F)
11	Altitude	≤2000m (6562 feet)

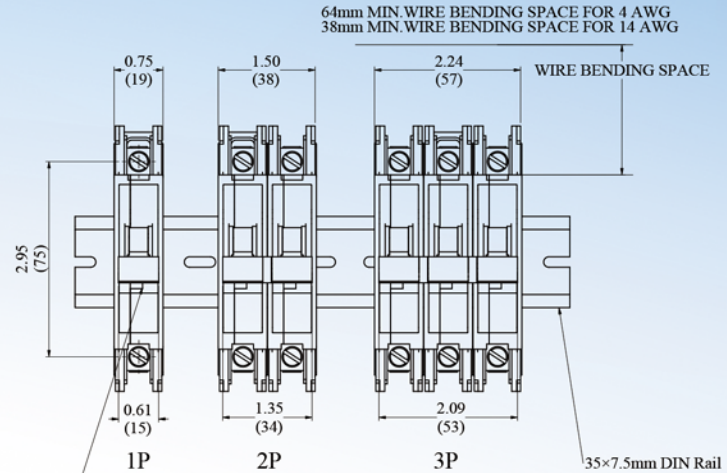
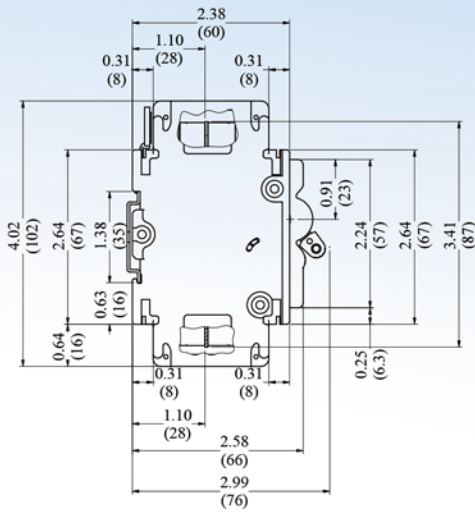


Rated Currents and Rated Voltages corresponding table

Rated Currents	Rated Voltages			
	120/240Vac,1pole	120/240Vac,2pole	240Vac,2pole	240Vac,3pole
5A	UEB1-70051BBDx	UEB1-70052BBDx	UEB1-7005H2BBDx	UEB1-7005H3BBDx
10A	UEB1-70101BBDx	UEB1-70102BBDx	UEB1-7010H2BBDx	UEB1-7010H3BBDx
15A	UEB1-70151BBDx	UEB1-70152BBDx	UEB1-7015H2BBDx	UEB1-7015H3BBDx
20A	UEB1-70201BBDx	UEB1-70202BBDx	UEB1-7020H2BBDx	UEB1-7020H3BBDx
25A	UEB1-70251BBDx	UEB1-70252BBDx	UEB1-7025H2BBDx	UEB1-7025H3BBDx
30A	UEB1-70301BBDx	UEB1-70302BBDx	UEB1-7030H2BBDx	UEB1-7030H3BBDx
35A	UEB1-70351BBDx	UEB1-70352BBDx	UEB1-7035H2BBDx	UEB1-7035H3BBDx
40A	UEB1-70401BBDx	UEB1-70402BBDx	UEB1-7040H2BBDx	UEB1-7040H3BBDx
45A	UEB1-70451BBDx	UEB1-70452BBDx	UEB1-7045H2BBDx	UEB1-7045H3BBDx
50A	UEB1-70501BBDx	UEB1-70502BBDx	UEB1-7050H2BBDx	UEB1-7050H3BBDx
60A	UEB1-70601BBDx	UEB1-70602BBDx	UEB1-7060H2BBDx	UEB1-7060H3BBDx

CIRCUIT BREAKERS

- Approval:UL489;
- Poles: 1, 2, 3;
- Mounting Type: Din-rail;
- Terminal: Box lug;
 - Maximum wire size for the Box Lug:#2;
 - Maximum tightening torque for the Box Lug:45lbf-in(5.1N·m);
- Rated frequency:50/60Hz;
- Interrupting capacity:10kA;
- Application life:
 - Mechanical:10000 cycles;
 - Electrical:6000cycles;
- Operation Temperature:-10°C~+60°C(14°F~140°F);
- Storage Temperature:-40°C~+70°C(-40°F~158°F);
- Relative Humidity:90-95%RH (below 40°F/104°F);
- Altitude: ≤2000m(6562 feet);



ON/OFF DISPLAY INDICATOR:
SIMULTANEOUS OPENING OF ALL POLES TO HAVE THE GREEN LIGHT ON
AND CLOSING OF ALL POLES TO HAVE THE RED LIGHT ON.

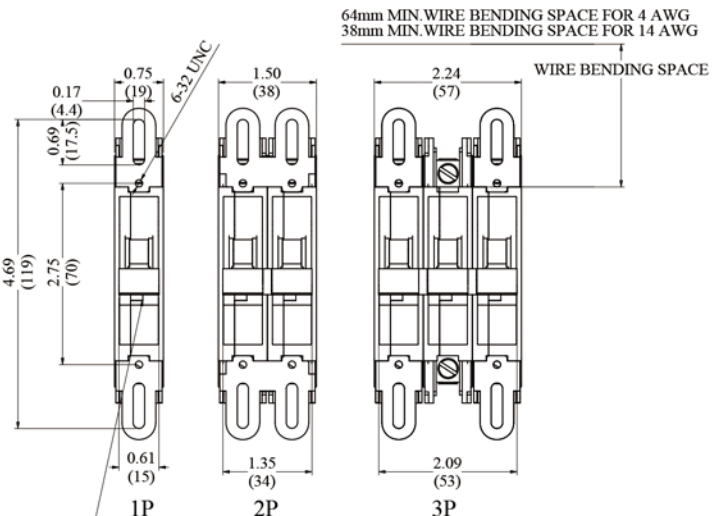
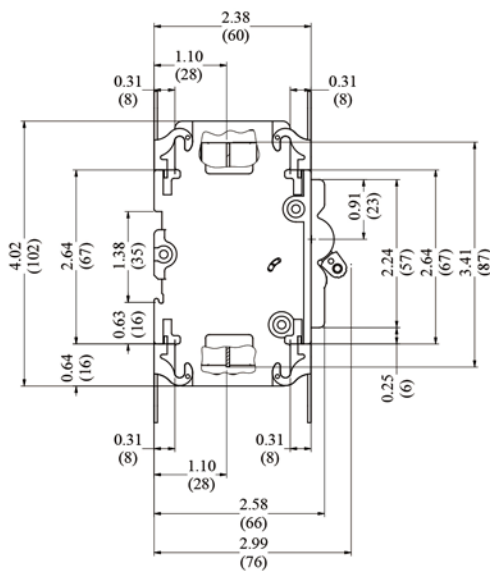
Dim.:in./mm

Rated Currents and Rated Voltages corresponding table

Rated Currents	Rated Voltages			
	120/240Vac,1pole	120/240Vac,2pole	240Vac,2pole	240Vac,3pole
5A	UEB1-70051BBSx	UEB1-70052BBSx	UEB1-7005H2BBSx	UEB1-7005H3BBSx
10A	UEB1-70101BBSx	UEB1-70102BBSx	UEB1-7010H2BBSx	UEB1-7010H3BBSx
15A	UEB1-70151BBSx	UEB1-70152BBSx	UEB1-7015H2BBSx	UEB1-7015H3BBSx
20A	UEB1-70201BBSx	UEB1-70202BBSx	UEB1-7020H2BBSx	UEB1-7020H3BBSx
25A	UEB1-70251BBSx	UEB1-70252BBSx	UEB1-7025H2BBSx	UEB1-7025H3BBSx
30A	UEB1-70301BBSx	UEB1-70302BBSx	UEB1-7030H2BBSx	UEB1-7030H3BBSx
35A	UEB1-70351BBSx	UEB1-70352BBSx	UEB1-7035H2BBSx	UEB1-7035H3BBSx
40A	UEB1-70401BBSx	UEB1-70402BBSx	UEB1-7040H2BBSx	UEB1-7040H3BBSx
45A	UEB1-70451BBSx	UEB1-70452BBSx	UEB1-7045H2BBSx	UEB1-7045H3BBSx
50A	UEB1-70501BBSx	UEB1-70502BBSx	UEB1-7050H2BBSx	UEB1-7050H3BBSx
60A	UEB1-70601BBSx	UEB1-70602BBSx	UEB1-7060H2BBSx	UEB1-7060H3BBSx

CIRCUIT BREAKERS

- Approval:UL489;
- Poles: 1, 2, 3;
- Mounting Type:surface-flush;
- Terminal: Box lug;
 - Maximum wire size for the Box Lug:#2;
 - Maximum tightening torque for the Box Lug:45lbf-in(5.1N·m);
- Rated frequency:50/60Hz;
- Interrupting capacity:10kA;
- Application life:
 - Mechanical:10000 cycles;
 - Electrical:6000cycles;
- Operation Temperature:-10°C~+60°C(14°F~140°F);
- Storage Temperature:-40°C~+70°C(-40°F~158°F);
- Relative Humidity:90-95%RH (below 40°F/104°F);
- Altitude: ≤2000m(6562 feet);

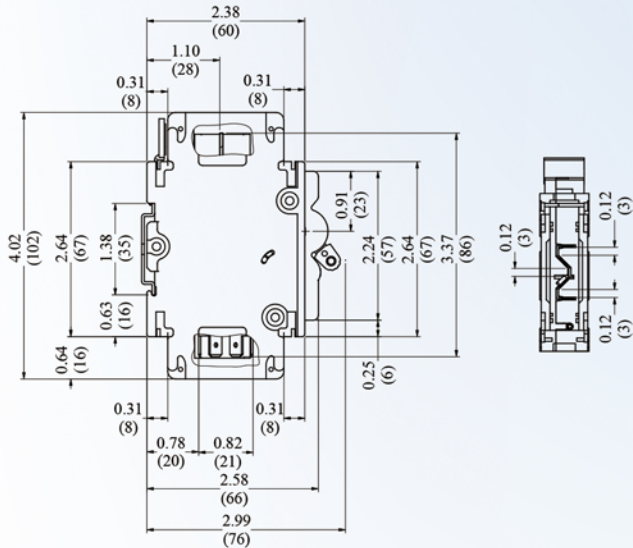


ON/OFF DISPLAY INDICATOR:
SIMULTANEOUS OPENING OF ALL POLES TO HAVE THE GREEN LIGHT ON
AND CLOSING OF ALL POLES TO HAVE THE RED LIGHT ON.

Dim.:in./mm

Rated Currents and Rated Voltages corresponding table

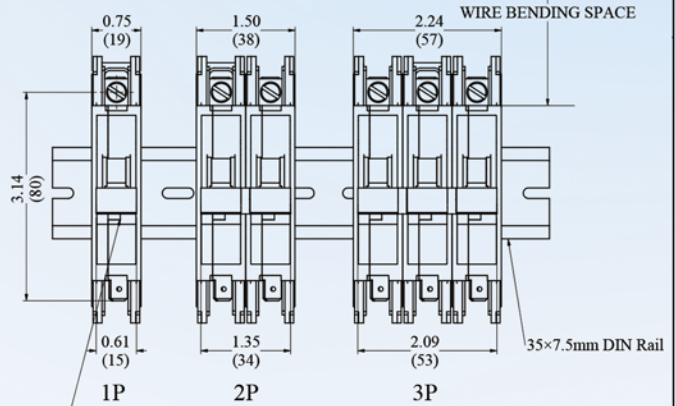
Rated Currents	Rated Voltages			
	120/240Vac,1pole	120/240Vac,2pole	240Vac,2pole	240Vac,3pole
5A	UEB1-70051BQDx	UEB1-70052BQDx	UEB1-7005H2BQDx	UEB1-7005H3BQDx
10A	UEB1-70101BQDx	UEB1-70102BQDx	UEB1-7010H2BQDx	UEB1-7010H3BQDx
15A	UEB1-70151BQDx	UEB1-70152BQDx	UEB1-7015H2BQDx	UEB1-7015H3BQDx
20A	UEB1-70201BQDx	UEB1-70202BQDx	UEB1-7020H2BQDx	UEB1-7020H3BQDx
25A	UEB1-70251BQDx	UEB1-70252BQDx	UEB1-7025H2BQDx	UEB1-7025H3BQDx
30A	UEB1-70301BQDx	UEB1-70302BQDx	UEB1-7030H2BQDx	UEB1-7030H3BQDx
35A	UEB1-70351BQDx	UEB1-70352BQDx	UEB1-7035H2BQDx	UEB1-7035H3BQDx
40A	UEB1-70401BQDx	UEB1-70402BQDx	UEB1-7040H2BQDx	UEB1-7040H3BQDx
45A	UEB1-70451BQDx	UEB1-70452BQDx	UEB1-7045H2BQDx	UEB1-7045H3BQDx
50A	UEB1-70501BQDx	UEB1-70502BQDx	UEB1-7050H2BQDx	UEB1-7050H3BQDx
60A	UEB1-70601BQDx	UEB1-70602BQDx	UEB1-7060H2BQDx	UEB1-7060H3BQDx



CIRCUIT BREAKERS

- Approval:UL489;
- Poles:1, 2, 3;
- Mounting Type: Din-rail;
- Terminal: line:Box lug
Maximum wire size for the Box Lug:#2
Maximum tightening torque for the Box Lug:45lbf-in(5.1N-m);
load:QC
4 Standard 0.25 in. Insulated Quick Connectors available for per terminal(30A max per connector);
Wire size: up to AWG#10;
- Rated frequency:50/60Hz;
- Interrupting capacity:10kA;
- Application life:
Mechanical:10000 cycles;
Electrical:6000cycles;
- Operation Temperature:-10°C~+60°C(14°F~140°F);
- Storage Temperature:-40°C~+70°C(-40°F~158°F);
- Relative Humidity:90-95%RH (below 40°F/104°F);
- Altitude: ≤2000m(6562 feet);

64mm MIN WIRE BENDING SPACE FOR 4 AWG
38mm MIN WIRE BENDING SPACE FOR 14 AWG

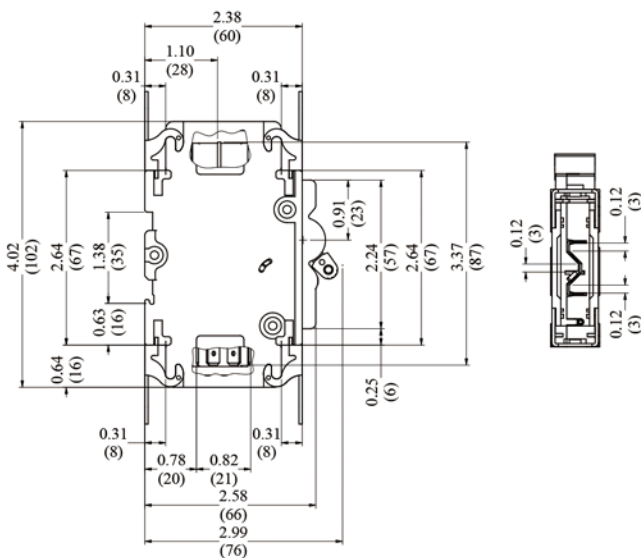


ON/OFF DISPLAY INDICATOR:
SIMULTANEOUS OPENING OF ALL POLES TO HAVE THE GREEN LIGHT ON
AND CLOSING OF ALL POLES TO HAVE THE RED LIGHT ON.

Dim.:in./mm

Rated Currents and Rated Voltages corresponding table

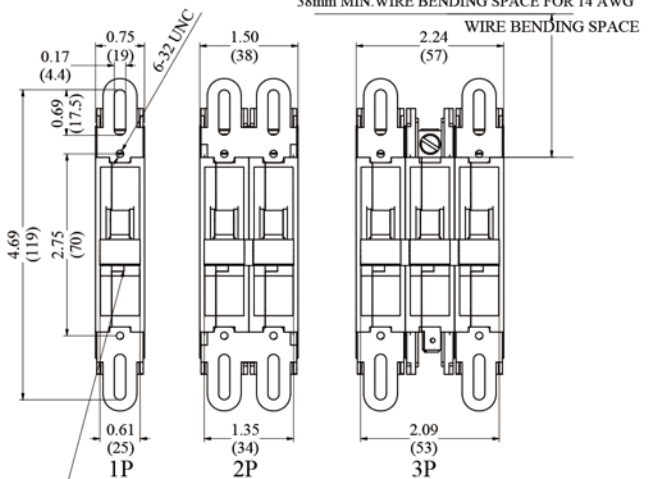
Rated Currents	Rated Voltages			
	120/240Vac,1pole	120/240Vac,2pole	240Vac,2pole	240Vac,3pole
5A	UEB1-70051BQSx	UEB1-70052BQSx	UEB1-7005H2BQSx	UEB1-7005H3BQSx
10A	UEB1-70101BQSx	UEB1-70102BQSx	UEB1-7010H2BQSx	UEB1-7010H3BQSx
15A	UEB1-70151BQSx	UEB1-70152BQSx	UEB1-7015H2BQSx	UEB1-7015H3BQSx
20A	UEB1-70201BQSx	UEB1-70202BQSx	UEB1-7020H2BQSx	UEB1-7020H3BQSx
25A	UEB1-70251BQSx	UEB1-70252BQSx	UEB1-7025H2BQSx	UEB1-7025H3BQSx
30A	UEB1-70301BQSx	UEB1-70302BQSx	UEB1-7030H2BQSx	UEB1-7030H3BQSx
35A	UEB1-70351BQSx	UEB1-70352BQSx	UEB1-7035H2BQSx	UEB1-7035H3BQSx
40A	UEB1-70401BQSx	UEB1-70402BQSx	UEB1-7040H2BQSx	UEB1-7040H3BQSx
45A	UEB1-70451BQSx	UEB1-70452BQSx	UEB1-7045H2BQSx	UEB1-7045H3BQSx
50A	UEB1-70501BQSx	UEB1-70502BQSx	UEB1-7050H2BQSx	UEB1-7050H3BQSx
60A	UEB1-70601BQSx	UEB1-70602BQSx	UEB1-7060H2BQSx	UEB1-7060H3BQSx



CIRCUIT BREAKERS

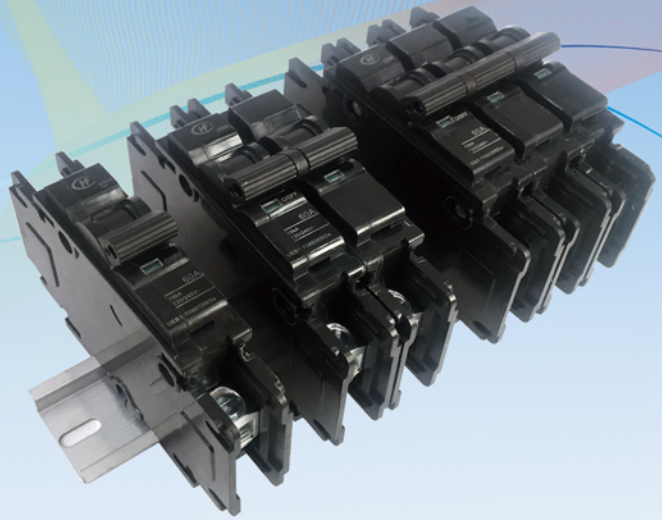
- Approval:UL489;
- Poles:1, 2, 3;
- Mounting Type: Surface-flush;
- Terminal: line:Box lug
Maximum wire size for the Box Lug:#2
Maximum tightening torque for the Box Lug:45lbf-in(5.1N-m);
load:QC
4 Standard 0.25 in. Insulated Quick Connectors available for per terminal(30A max per connector);
Wire size: up to AWG #10;
- Rated frequency:50/60Hz;
- Interrupting capacity:10kA;
- Application life:
Mechanical:10000 cycles;
Electrical:6000cycles;
- Operation Temperature:-10°C~+60°C(14°F~140°F);
- Storage Temperature:-40°C~+70°C(-40°F~158°F);
- Relative Humidity:90-95%RH (below 40°F/104°F);
- Altitude: ≤2000m(6562 feet);

64mm MIN WIRE BENDING SPACE FOR 4 AWG
38mm MIN WIRE BENDING SPACE FOR 14 AWG



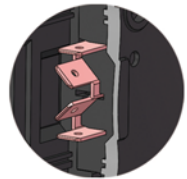
ON/OFF DISPLAY INDICATOR:
SIMULTANEOUS OPENING OF ALL POLES TO HAVE THE GREEN LIGHT ON
AND CLOSING OF ALL POLES TO HAVE THE RED LIGHT ON.

Dim.:in./mm

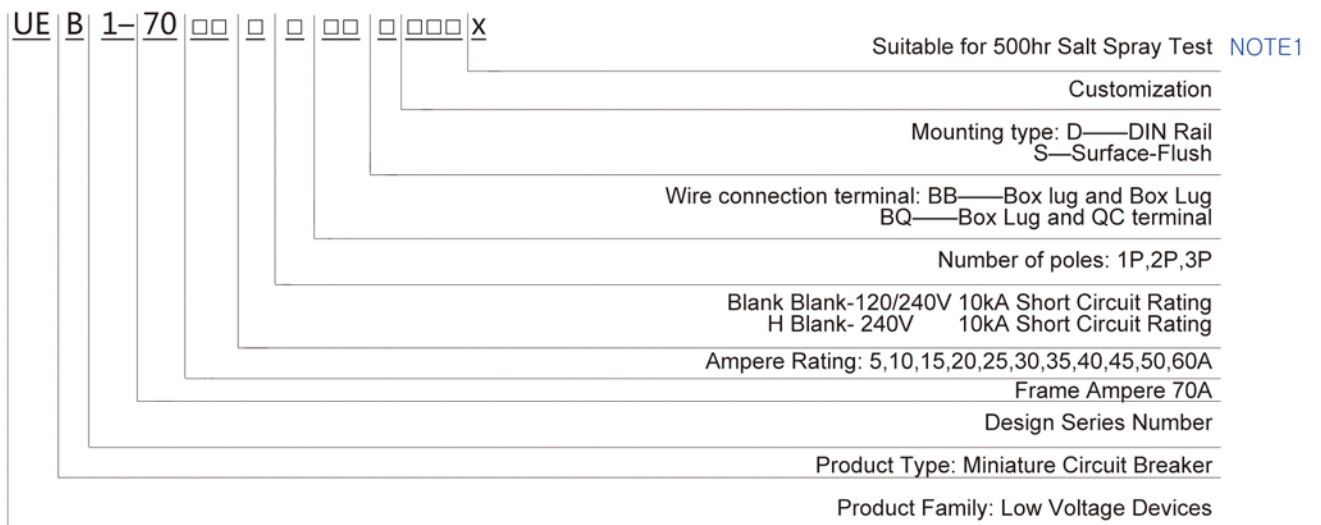


Benefits

- 1 Fast short circuit current trip times to provide better protection.
- 2 Short-circuit protection throughout the ambient temperature range.
- 3 Optional mounting to provide flexibility to the design engineers and customers.
- 4 QC terminal design to provide reliable wire connections.



Part Number Nomenclature ❖❖❖



NOTE1 Salt spray test, the product is placed upward according to handle opening



Hongfa America, INC.

ADD: 20381 Hermans Circle Lake Forest, CA 92630, USA

TEL: 714-669-2888 FAX: 714-669-2890

Email: sales@hongfaamerica.com