

UER1、UER3系列热过载继电器

UER1、UER3 Series Thermal Overload Relays

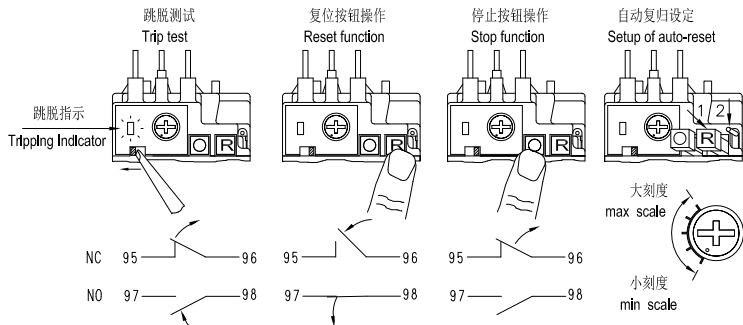
⚠️ 危险 / DANGER

- * 可能有触电、爆炸或者电弧灼伤的危险!
- * 在此电力设备上工作时, 请先切断所有电源。
- * 若违背这些说明, 则可能会导致严重的人身伤害!

*** HAZARD OF ELECTRIC SHOCK, EXPLOSION, OR ARC FLASH.**

- * Disconnect all power before servicing equipment.
- * **Failure to follow these instructions will result in serious injury.**

功能操作说明(Operation instructions):



- * 若操作跳脱测试后发生复位按钮操作无法复位时, 请在跳脱指示窗将指示片往回拨动即可。
- * 若停止按钮操作后发生NC接点不导通时, 请将停止按钮往上拉即可。
- * 请正确及小心操作上述功能! 若操作数次仍无法发挥上述功能时, 请检查其它器具是否异常。
- * 所有功能必须在小刻度与大刻度间操作, 才能发挥正常功能。
- * If reset function can't be carried out after conducting trip test, please push back the indicator through the indicator window.
- * If NC contact can't work after conducting stop function, please pull up the stop button.
- * **Operate the above functions carefully.** Please check other devices if the function don't work.
- * All of the functions will be correctly operated between the min scale and max scale.

电气接线图及电流刻度铭牌颜色:

Circuit diagram and colors of current-setting labels:

机种 Type	UER1-40/□□ UER3-40/□□ UER1-90/□□	UER1-40/□□ UER3-40/□□ UER1-90/□□	UER1-330/□BD	UER1-330/□AD
项目 Item				
电气接线图 Circuit diagram				
电流刻度铭牌颜色 Colors of current setting labels	绿色 Green	红色 Red	绿色 Green	红色 Red

配线说明(Cablings):

导线 Wire	导线数 No. of conductors	型号 Model	主回路 (最小...最大) Main circuit wiring (min...max.)				控制回路 (最小...最大) Auxiliary circuit wiring (min...max.)	
			UER1-40 UER3-40		UER1-90			
			<30	≥30	<60	≥60		
硬线 Hard wire	1根导线/mm ² 1 wire (mm ²)	1...6	—	2.5...16	—	铜排: 厚度8×宽度20 紧固件规格: M10 Copper bar: Thickness 8 × Width 20 Fastening screw: M10 (Note 1)	1...2.5	
	2根导线/mm ² 2 wires (mm ²)		1...6	—	2.5...16			
软线 (不带端子) Flexible wire without terminal	1根导线/mm ² 1 wire (mm ²)	1...6	1...6	2.5...16	10...35			(Note 1)
	2根导线/mm ² 2 wires (mm ²)		1...6	2.5...16	6...16			
软线 (带端子) Flexible wire with terminal	1根导线/mm ² 1 wire (mm ²)	1...6	2.0...2.5	4.5...5	8...9	15...21 (Note 1)	0.8...1.2	
拧紧力矩/N·m Tightening torque (N·m)			1.2...1.8	2.0...2.5	4.5...5	8...9	15...21 (Note 1)	0.8...1.2

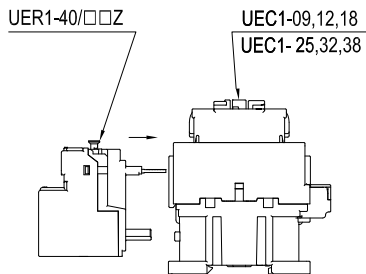
注(Note):

UER1-330主回路采用铜排连接, 铜排规格、紧固件规格及拧紧力矩为推荐值。

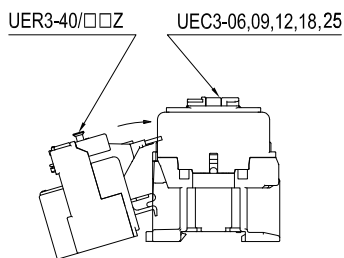
UER1-330 main circuit adopts copper bar connection, copper bar specifications, fastening screws specifications and fastening torque in table are the recommended values.

搭配方法(Installation methods):

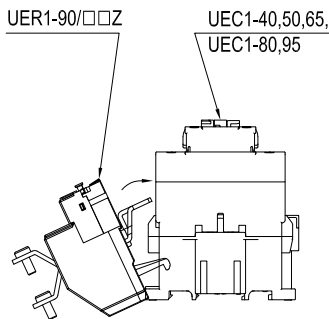
UER1-40/□□Z + UEC1-09,12,18,25,32,38



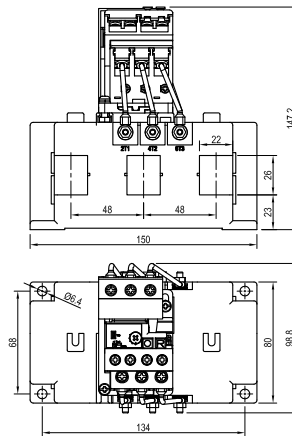
UER3-40/□□Z + UEC3-06,09,12,18,25



UER1-90/□□Z + UEC1-40,50,65,80,95



UER1-330/□□D



外形尺寸(Outline dimensions):

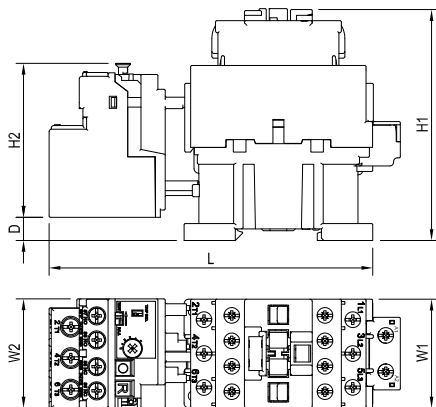


图 (1)
Figure (1)

型号 Type	UER1-40/□□Z		UER3-40/□□Z	UER1-90/□□Z		UER1-40/□□D	UER1-90/□□D
	UEC1-09 UEC1-12 UEC1-18	UEC1-25 UEC1-32 UEC1-38	UEC3-06 UEC3-09 UEC3-12 UEC3-18 UEC3-25	UEC1-40 UEC1-50 UEC1-65	UEC1-80 UEC1-95		
尺寸(mm) Dimensions							
H1	95	103	79.5	132	137.5	69	88.5
H2	63.5	63.5	63.5	97.5	97.5	63.5	97.5
W1	45	45	45	63	70	49	56
W2	45	45	45	56	56	45	56
D	9.6	10.8	12.6	7.6	10.8	6.5	6.5
L	145.2	148.2(167.7)	126.2	171(198.5)	182(209.5)	78.5(93.5)	82(135.5)
图 Figure	1					2	

注:

- 1、UER1-40的 () 内尺寸为整定电流范围代码30、36、38追加外接板后之尺寸;
- 2、UER1-90的 () 内尺寸为整定电流范围代码60、75、90、97追加外接板后之尺寸。

Note:

1. The dimension in () is for additional terminal of UER1-40's code for the setting current range 30, 36 and 38 products.
2. The dimension in () is for additional terminal of UER1-90's code for the setting current range 60, 75, 90 and 97 products.

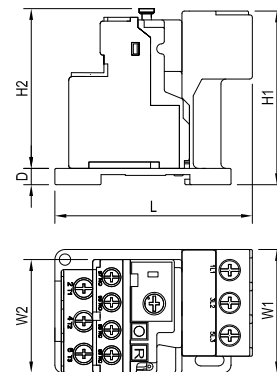


图 (2)
Figure (2)