

Specifications



Contactor, UEC1-630F4, 4P (4NO), AC Coil

Main

Product Series	UEC1
Product or Component Type	Contactor
Device Short Name	UEC1-630F4
Contactor Application	Motor control Resistive load
Utilisation Category	AC-3 AC-4 AC-1
Poles Description	4P
[Ue]Rated Operational Voltage	Power circuit: ≤ 690 V AC 50/60Hz
[Ie]Rated Operational Current	630 A (at ≤ 40 °C) at ≤ 400 V AC AC-3 for power circuit 800 A (at ≤ 40 °C) at ≤ 690 V AC AC-1 for power circuit
[Us] Control Circuit Voltage (AC 50/60Hz)	Voltage (V): 110 220 -230 380 -400 Code: F7 M7 Q7

Complementary

Motor Power kW	200 kW at 220/240 V AC 50/60 Hz (AC-3) 335 kW at 380/400 V AC 50/60 Hz (AC-3) 375 kW at 415 V AC 50/60 Hz (AC-3) 400 kW at 440 V AC 50/60 Hz (AC-3) 400 kW at 500 V AC 50/60 Hz (AC-3) 450 kW at 660/690 V AC 50/60 Hz (AC-3)
Pole Contact Composition	4 NO
[Ith] Conventional Free Air Thermal Current	800 A (at ≤ 40 °C) for power circuit
[Icw] Rated Short-Time Withstand Current	5050 A ≤ 40 °C - 10 s for power circuit 4400 A ≤ 40 °C - 30 s for power circuit 3400 A ≤ 40 °C - 1 min for power circuit 2200 A ≤ 40 °C - 3 min for power circuit

	1200 A ≤ 40 °C - 10 min for power circuit
Associated Fuse Rating	800 A gG at ≤ 400 V coordination type 2 for power circuit
Average Impedance	0.12 m Ω - lth 50 Hz for power circuit
[Ui] Rated Insulation Voltage	Power circuit: 1000 V conforming to IEC 60947-4-1
Overvoltage Category	III
Pollution Degree	3
[Uimp] Rated Impulse Withstand Voltage	8 kV conforming to IEC 60947
Mechanical Durability	1 M cycles
Electrical Durability	0.2 M cycles 630 A AC-3 at $U_e \leq 400$ V
Control Dircuit Type	AC at 50/60 Hz standard
Control Circuit Voltage Limits	0.85...1.1 Us (-5...40 °C): operational AC 50/60 Hz 0.2...0.75 Us (-5...40 °C): drop-out AC 50/60 Hz
Inrush Power in VA	1500...1730 VA 50/60 Hz (at 25 °C)
Hold-in Power Consumption in VA	20...25 VA 50/60 Hz (at 25 °C)
Operating Time	40...80 ms closing, 100...200 ms opening
Maximum Operating Rate	Electrical: 300 cycs/h Mechanical: 600 cycs/h
Connections - Terminals	Power circuit bar 2 60 x 5 mm Power circuit bolted connection M12 Control circuit: screw clamp terminals 1 1...4 mm ² (AWG 18...12) - cable stiffness: flexible without cable end Control circuit: screw clamp terminals 2 1...4 mm ² (AWG 18...12) - cable stiffness: flexible without cable end Control circuit: screw clamp terminals 1 1...4 mm ² (AWG 18...12) - cable stiffness: flexible with cable end Control circuit: screw clamp terminals 2 1...2.5 mm ² (AWG 18...14) - cable stiffness: flexible with cable end Control circuit: screw clamp terminals 1 1...4 mm ² (AWG 18...12) - cable stiffness: solid without cable end Control circuit: screw clamp terminals 2 1...4 mm ² (AWG 18...12) - cable stiffness: solid without cable end
Tightening Torque	Power circuit: 513 lb.in (58 N·m)- on bolt locking terminals - with external hexagonal wrench 18 Control circuit: 11 lb.in (1.2 N·m)- on screw clamp terminals - with screwdriver flat \varnothing 6 mm Control circuit: 11 lb.in (1.2 N·m)- on screw clamp terminals - with screwdriver Philips No 2
Mounting Support	Screw

Environment

Standards	GB/T 14048.4, IEC/EN 60947-4-1, BS EN 60947-4-1
Product Certifications	CCC, CE, UKCA
IP Degree of Protection	IP00 front face conforming to IEC 60529

Permissible Ambient Air Temperature Around the Device	-5...40 °C for normal operating 40...70 °C with derating (for operation in the range of Us...1.1Us) Storage: -60...80 °C
Operating Altitude	0...3000 m without derating
Fire Resistance	Current-carrying parts: 850 °C conforming to IEC 60695-2-11
Height	304 mm
Width	389 mm
Depth	255 mm
Net Weight	20.50 kg

Packing Units

Unit Type of Package 1	/
Number of Units in Package 1	/
Package 1 Height	/
Package 1 Width	/
Package 1 Length	/
Package 1 Weight	/
Unit type of Package 2	1 carton
Number of Units in Package 2	1 pcs
Package 2 Height	34.0 cm
Package 2 Width	34.0 cm
Package 2 Length	45.0 cm
Package 2 Weight	22.90 kg

Offer Sustainability

EU RoHS Directive	Conforming
Mercury Free	Yes
China RoHS Regulation	Conforming
RoHS Exemption Information	Yes

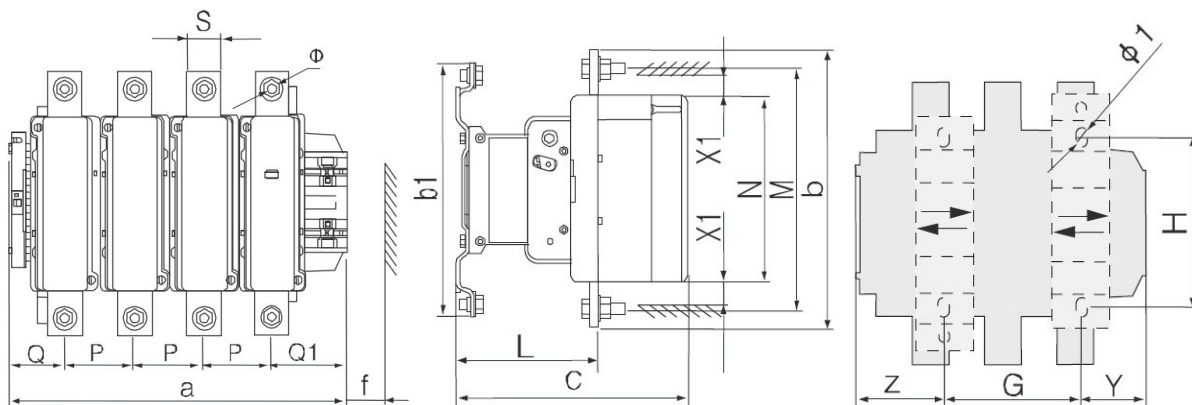
Contractual Warranty

Warranty	18 months
----------	-----------

Dimensions

UEC1-630F4 (4P, AC coil)

AC contactor:



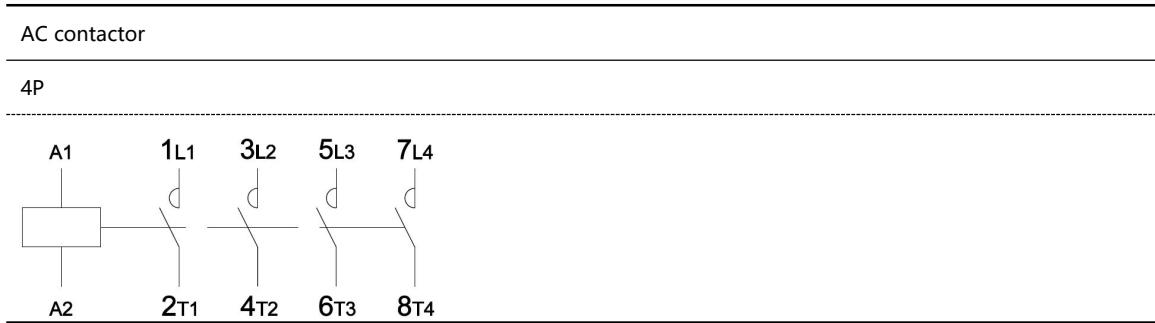
	UEC1-630F4
a	389
P	80
Q	60
Q1	89
S	40
Φ	M12
f	201
b	304
b1	280
M	264
N	202
C	255
L	155
G	240(150 ~ 275)
H	180
Φ1	10.5
Z	60.6
Y	68.5
X1	20 ($U_e \leq 500V$)、30 ($U_e > 500V$)

Note: Unit: mm

f: Minimum distance required for coil removal.

X1: Minimum electrical clearance according to operational voltage and breaking capacity.

Wiring diagram



Top mounting auxiliary contact block (instantaneous auxiliary contact)

<p>CA1R11 (1NO1NC)</p>	<p>CA1R20 (2NO)</p>	<p>CA1R02 (2NC)</p>
<p>CA1R22 (2NO2NC)</p>	<p>CA1R31 (3NO1NC)</p>	<p>CA1R13 (1NO3NC)</p>
<p>CA1R40 (4NO)</p>	<p>CA1R04 (4NC)</p>	