

## Specifications



## Contactor, UEC1-80C, 3P (3NO), AC Coil

### Main

Product Series	UEC1
Product or Component Type	Contactor
Device Short Name	UEC1-80C
Contactor Application	Motor control Resistive load
Utilisation Category	AC-3 AC-4 AC-1
Poles Description	3P
Rated Operational Voltage [Ue]	Power circuit: $\leq 690$ V AC 50/60Hz
Rated Operational Current [Ie]	80 A (at $\leq 60$ °C) at $\leq 400$ V AC AC-3 for power circuit 125 A (at $\leq 60$ °C) at $\leq 690$ V AC AC-1 for power circuit
[Us] Control Circuit Voltage (AC 50/60Hz)	Voltage (V): 24 36 42 48 110 115 127 220 230 240 380 400 415 Code: B7 CC7 D7 E7 F7 FE7 FC7 M7 P7 U7 Q7 V7 N7

### Complementary

Motor Power kW	22 kW at 220/230 V AC 50/60 Hz (AC-3) 37 kW at 380/400 V AC 50/60 Hz (AC-3) 45 kW at 660/690 V AC 50/60 Hz (AC-3)
Motor Power hp	7.5 hp at 110...120 V AC 50/60 Hz for 1 phase motors 15 hp at 200...208 V AC 50/60 Hz for 1 phase motors 15 hp at 220...240 V AC 50/60 Hz for 1 phase motors 25 hp at 200...208 V AC 50/60 Hz for 3 phases motors 30 hp at 220...240 V AC 50/60 Hz for 3 phases motors 60 hp at 440...480 V AC 50/60 Hz for 3 phases motors 75 hp at 550...600 V AC 50/60 Hz for 3 phases motors

Pole Contact Composition	3 NO
Conventional Free Air Thermal Current [Ith]	125 A (at $\leq 60$ °C) for power circuit 10 A (at $\leq 60$ °C) for signalling circuit
Rated Short-Time Withstand Current [Icw]	640 A $\leq 40$ °C - 10 s for power circuit 990 A $\leq 40$ °C - 1 s for power circuit 135 A $\leq 40$ °C - 10 min for power circuit 320 A $\leq 40$ °C - 1 min for power circuit
Associated Fuse Rating	10 A gG for signalling circuit conforming to IEC 60947-5-1 100 A gG at $\leq 690$ V coordination type 2 for power circuit
Average Impedance	0.8 m $\Omega$ - Ith 50 Hz for power circuit
[Ui] Rated Insulation Voltage	Power circuit: 690 V conforming to IEC 60947-4-1 Power circuit: 600 V UL Certified Signalling circuit: 690 V conforming to IEC 60947-5-1 Signalling circuit: 600 V UL Certified
Overvoltage Category	III
Pollution Degree	3
[Uimp] Rated Impulse Withstand Voltage	8 kV conforming to IEC 60947
Mechanical Durability	3 M cycles
Electrical Durability	0.9 M cycles 80 A AC-3 at $U_e \leq 400$ V
Control Circuit Type	AC at 50/60 Hz standard
Coil Technology	Without built-in suppressor module
Control Circuit Voltage Limits	0.8...1.1 Us (-40...60 °C): operational AC 50 Hz 0.85...1.1 Us (-40...60 °C): operational AC 60 Hz 1...1.1 Us (60...70 °C): operational AC 50/60 Hz 0.2...0.75 Us (-40...70 °C): drop-out AC 50/60 Hz
Inrush Power in VA	200 VA 50/60 Hz (at 25 °C)
Hold-in Power Consumption in VA	21 VA 50/60 Hz (at 25 °C)
Operating Time	Power circuit: 12...26 ms closing, 6...20 ms opening Signalling circuit (NO): 15...26 ms closing, 4...19 ms opening Signalling circuit (NC): 4...19 ms opening, 12...32 ms closing
Maximum Operating Rate	Electrical: 400 cycs/h Mechanical: 3600 cycs/h
Connections - Terminals	Power circuit: screw clamp terminals 1 4...50 mm <sup>2</sup> (AWG 12...1) - cable stiffness: flexible without cable end Power circuit: screw clamp terminals 2 4...25 mm <sup>2</sup> (AWG 12...4) - cable stiffness: flexible without cable end Power circuit: screw clamp terminals 1 4...50 mm <sup>2</sup> (AWG 12...4) - cable stiffness: flexible with cable end Power circuit: screw clamp terminals 2 4...16 mm <sup>2</sup> (AWG 12...6) - cable stiffness: flexible with cable end Power circuit: screw clamp terminals 1 4...50 mm <sup>2</sup> (AWG 12...1) - cable stiffness: solid without cable end Power circuit: screw clamp terminals 2 4...25 mm <sup>2</sup> (AWG 12...4) - cable stiffness: solid without cable end

	Control circuit: screw clamp terminals 1 1...4 mm <sup>2</sup> (AWG 18...12) - cable stiffness: flexible without cable end
	Control circuit: screw clamp terminals 2 1...4 mm <sup>2</sup> (AWG 18...12) - cable stiffness: flexible without cable end
	Control circuit: screw clamp terminals 1 1...4 mm <sup>2</sup> (AWG 18...12) - cable stiffness: flexible with cable end
	Control circuit: screw clamp terminals 2 1...2.5 mm <sup>2</sup> (AWG 18...14) - cable stiffness: flexible with cable end
	Control circuit: screw clamp terminals 1 1...4 mm <sup>2</sup> (AWG 18...12) - cable stiffness: solid without cable end
	Control circuit: screw clamp terminals 2 1...4 mm <sup>2</sup> (AWG 18...12) - cable stiffness: solid without cable end
Tightening Torque	Power circuit: 80 lb.in (9 N·m) - on bolt clamp terminals - with internal hexagon socket wrench 4 mm Control circuit: 11 lb.in (1.2 N·m) - on screw clamp terminals - with screwdriver flat Ø 6 mm Control circuit: 11 lb.in (1.2 N·m) - on screw clamp terminals - with screwdriver Philips No 2
Auxiliary Contact Composition	1NO1NC, 2NO2NC, other combinations can be customized
Minimum Switching Voltage	24 V for signalling circuit
Minimum Switching Current	0.1A for signalling circuit
Insulation Resistance	> 10 MΩ for signalling circuit
Mounting Support	Screw 35mm or 75mm DIN Rail

## Environment

Standards	GB/T 14048.4, GB/T 14048.5, IEC/EN 60947-4-1, IEC/EN 60947-5-1, BS EN 60947-4-1, BS EN 60947-5-1, UL 60947-4-1, UL 60947-5-1
Product Certifications	CCC, CE, UKCA, VDE, UL (cULus LISTED)
IP Degree of Protection	IP20 front face conforming to IEC 60529
Permissible Ambient Air Temperature Around the Device	-40...60 °C for normal operating 60...70 °C with derating (for operation in the range of Us...1.1Us) Storage: -60...80 °C
Operating Altitude	0...3000 m without derating
Fire Resistance	Current-carrying parts: 850 °C conforming to IEC 60695-2-11
Height	121 mm
Width	70 mm
Depth	137.5 mm
Net Weight	1.4 kg

## Packing Units

Unit Type of Package 1	1 box
Number of Units in Package 1	1 pcs
Package 1 Height	15.0 cm
Package 1 Width	7.9 cm
Package 1 Length	13.0 cm
Package 1 Weight	1.42 kg
Unit type of Package 2	1 carton
Number of Units in Package 2	10 pcs
Package 2 Height	19.2 cm
Package 2 Width	30.6 cm
Package 2 Length	45 cm
Package 2 Weight	15.50 kg

## Offer Sustainability

REACH Regulation	Conforming
EU RoHS Directive	Conforming
Mercury Free	Yes
China RoHS Regulation	Conforming
RoHS Exemption Information	Yes

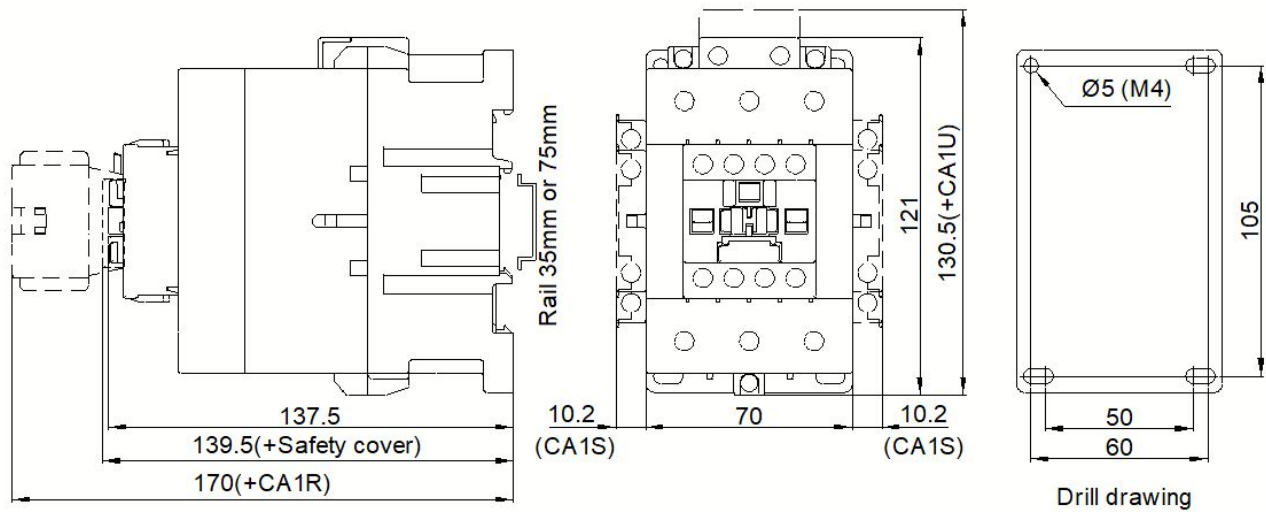
## Contractual Warranty

Warranty	18 months
----------	-----------

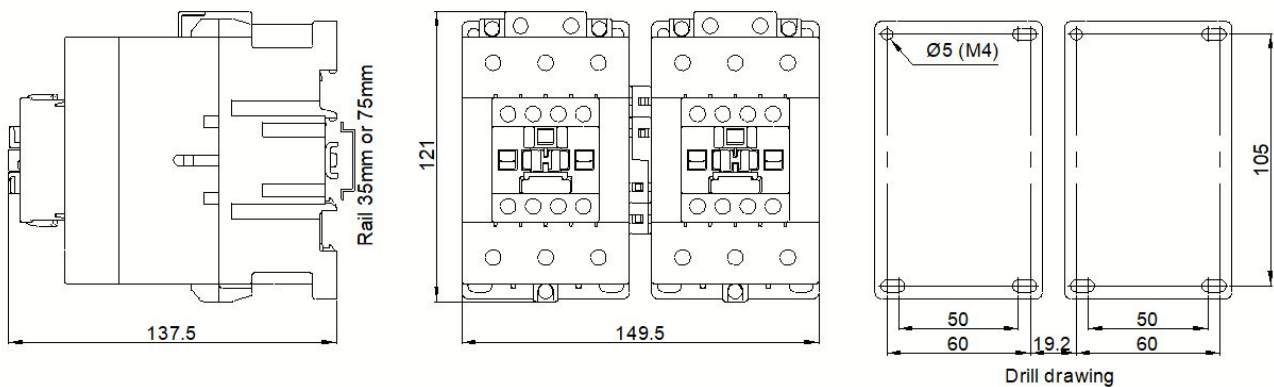
## Dimensions

UEC1-80...95 (3P, AC coil)

AC Contactor:

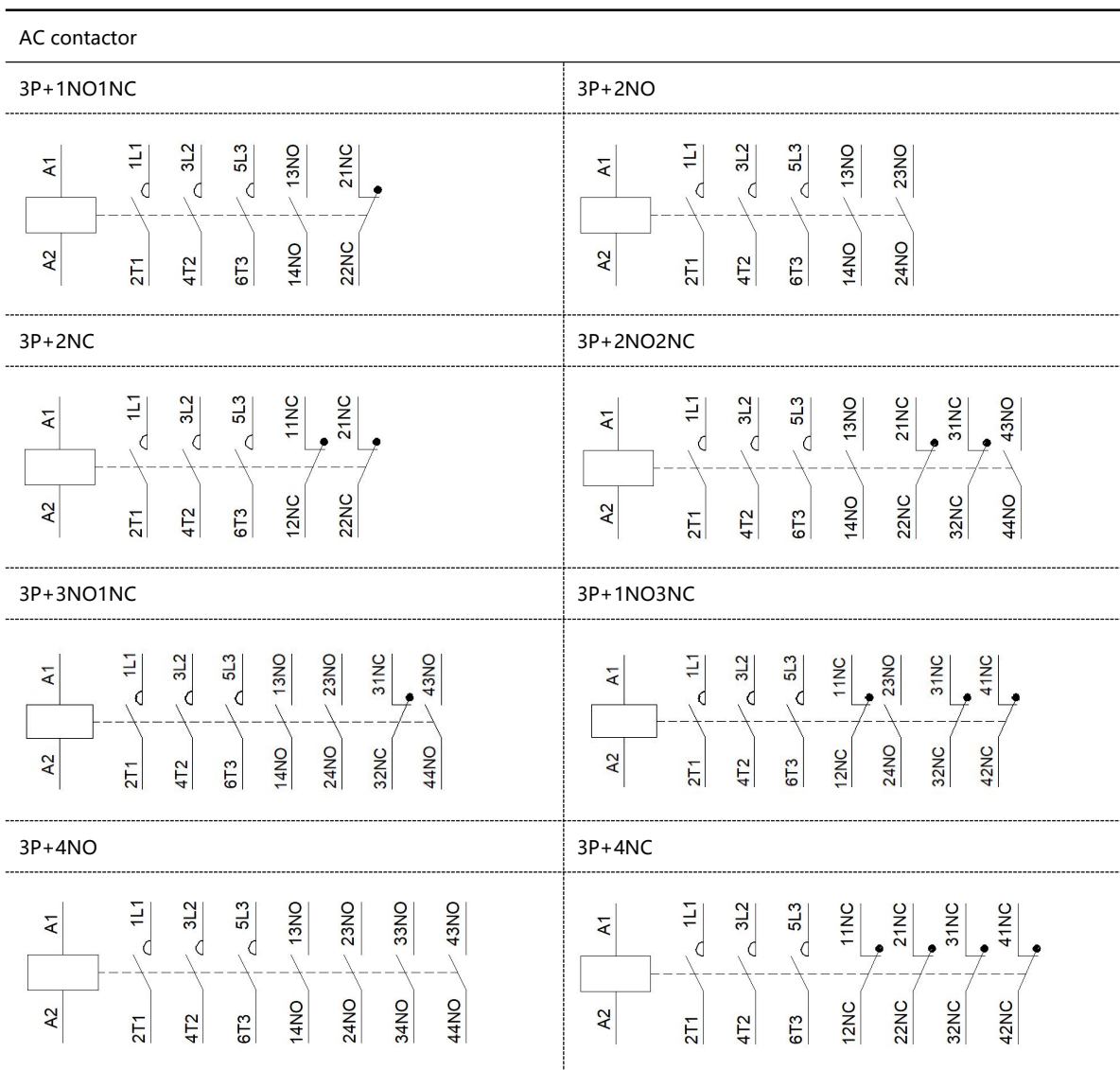


Interlock Contactor:

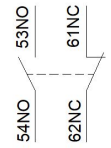
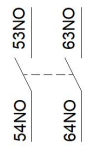
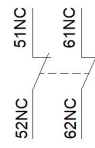
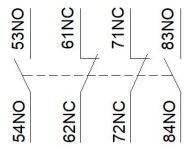
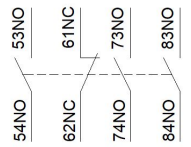
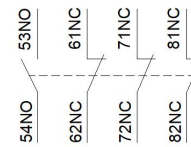
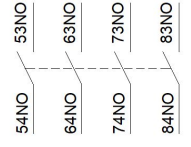
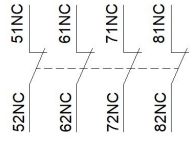


Note: The unit is mm. The tolerance for mounting holes:  $\pm 0.5$ ; for other external dimensions:  $\pm 1.5$ , unless otherwise specified.

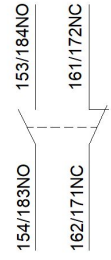
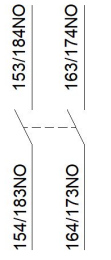
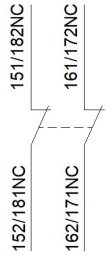
# Wiring Diagram



Top mounting auxiliary contact block (instantaneous auxiliary contact)

<p>CA1R11 (1NO1NC)</p> 	<p>CA1R20 (2NO)</p> 	<p>CA1R02 (2NC)</p> 
<p>CA1R22 (2NO2NC)</p> 	<p>CA1R31 (3NO1NC)</p> 	<p>CA1R13 (1NO3NC)</p> 
<p>CA1R40 (4NO)</p> 	<p>CA1R04 (4NC)</p> 	

Side mounting auxiliary contact block (instantaneous auxiliary contact)

<p>CA1S11 (1NO1NC)</p> 	<p>CA1S20 (2NO)</p> 	<p>CA1S02 (2NC)</p> 
--	---	---